

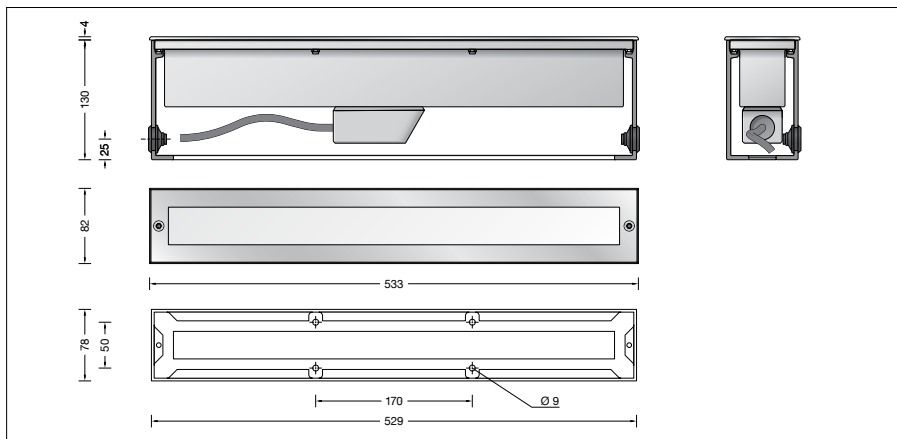
**BEGA****84 159**

In-ground luminaire

IP 67

Project · Reference number

Date



## Product data sheet

### Application

LED floodlight with symmetrical light distribution. For recessed mounting in compacted surfaces, paths and places. Drive-over luminaire for vehicles with pneumatic tyres.

### Please note:

Luminaire must not be used for installation in road lanes, where the fixture is exposed to a horizontal strain due to braking, acceleration and change of direction.

### Product description

Luminaire made of aluminium alloy, aluminium and stainless steel  
Cover frame made of stainless steel, steel grade number 1.4301  
Recess housing with cable entry for cable conduit, max  $\varnothing$  20 mm  
Matt safety glass  
BEGA Vortex Optics®  
Reflector surface made of pure aluminium  
1,8 m water-resistant connecting cable 07RN8-F 5G 1<sup>□</sup> with implemented water stopper and 1.2 m PVC cable conduit  
LED power supply unit  
220-240 V  $\sim$  0/50-60 Hz  
DC 176-264 V  
DALI controllable  
A basic isolation exists between power cable and control line  
Safety class I  
Protection class IP 67  
Dust-tight and protection against temporary immersion  
Pressure load 1,000 kg (~10 kN)  
Impact strength IK09  
Protection against mechanical impacts < 10 joule  
**CE** – Conformity mark  
Weight: 5.6 kg

### Lamp

Module connected wattage	15.8 W
Luminaire connected wattage	18.3 W
Rated temperature	$t_a = 25\text{ °C}$
Ambient temperature	$t_{a\text{ max}} = 50\text{ °C}$
When installed in heat-insulating material	$t_{a\text{ max}} = 35\text{ °C}$

### 84 159 K4

Module designation	2x LED-0772/840
Colour temperature	4000 K
Colour rendering index	CRI > 80
Module luminous flux	3030 lm
Luminaire luminous flux	1255 lm
Luminaire luminous efficiency	68,6 lm/W

### 84 159 K3

Module designation	2x LED-0772/830
Colour temperature	3000 K
Colour rendering index	CRI > 80
Module luminous flux	2950 lm
Luminaire luminous flux	1220 lm
Luminaire luminous efficiency	66,7 lm/W

### Service life · Ambient temperature

Rated temperature $t_a = 25\text{ °C}$	
LED psu:	> 50,000 h
LED module:	> 200,000 h (L.80 B.50)
	100,000 h (L.90 B.50)

Ambient temperature  $t_{a\text{ max}} = 50\text{ °C}$  (100 %)

LED psu:	50,000 h
LED module:	80,000 h (L.80 B.50)
	100,000 h (L.70 B.50)

### Inrush current

Inrush current: 5 A / 100  $\mu$ s  
Maximum number of luminaires of this type per miniature circuit breaker:

B 10A:	42 luminaires
B 16A:	68 luminaires
C 10A:	42 luminaires
C 16A:	68 luminaires

### Lighting technology

Half beam angle 34°  
Luminaire data for the light planning program DIALux for outdoor lighting, street lighting and interior lighting as well as luminaire data in EULUMDAT and IES format are available on our website [www.bega.com](http://www.bega.com).

### Article No. 84 159

LED colour temperature optionally 4000 K or 3000 K  
4000 K – Article number + **K4**  
3000 K – Article number + **K3**

### Accessories

Distribution box for installation in soil

<b>70 730</b>	Distribution box with 7 cable entries Connection terminals 5 x 4 <sup>□</sup>
<b>71 053</b>	Distribution box with 10 cable entries Connection terminals 6 x 16 <sup>□</sup>

### Light distribution

