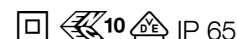


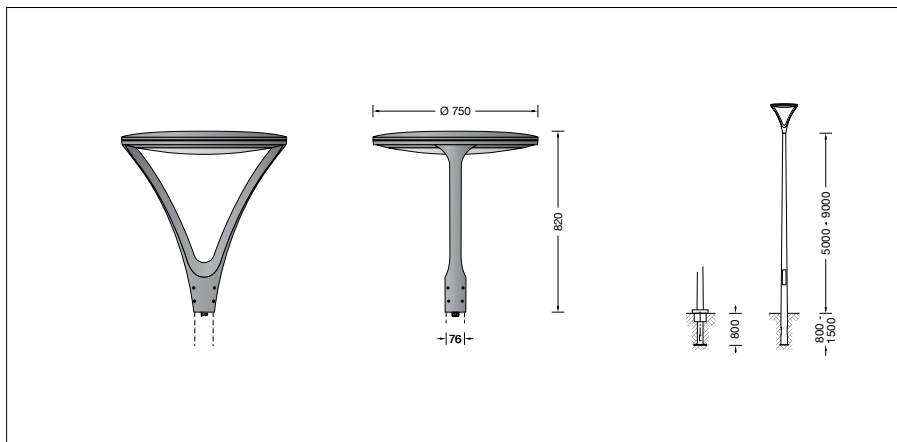
BEGA**84 147**

Pole top luminaire



Project · Reference number

Date



Product data sheet

Application

LED pole-top luminaire with symmetrical light distribution.

For mounting heights 5000 - 9000 mm.

Product description

Luminaire made of aluminium alloy, aluminium and stainless steel
 Synthetic cover with optical structure
 Silicone gasket
 Reflector surface made of pure aluminium
 For pole top \varnothing 76 mm
 Slip fitter insert depth 137 mm
 Connecting cable X05BQ-F 4 x 1 □
 Cable length 10 m
 LED power supply unit
 220-240 V ~ 0/50-60 Hz
 DC 176-264 V
 During DC operation the LED power is reduced to 50 %
 DALI controllable
 A basic isolation exists between power cable and control line
 Safety class II □
 Protection class IP 65
 Dust-tight and protection against water jets
 Impact strength IK03
 Protection against mechanical impacts < 0.35 joule
 – Safety mark
 – Conformity mark
 Horizontal wind catching area: 0.15 m²
 Weight: 28.0 kg

Lamp

Module connected wattage 46.4 W
 Luminaire connected wattage 51.6 W
 Rated temperature $t_a = 25 \text{ }^\circ\text{C}$
 Ambient temperature $t_{a \text{ max}} = 40 \text{ }^\circ\text{C}$

84 147 K4

Module designation 8x LED-0875/840
 Colour temperature 4000 K
 Colour rendering index CRI > 80
 Module luminous flux 9280 lm
 Luminaire luminous flux 5098 lm
 Luminaire luminous efficiency 98,8 lm/W

84 147 K3

Module designation 8x LED-0875/830
 Colour temperature 3000 K
 Colour rendering index CRI > 80
 Module luminous flux 9000 lm
 Luminaire luminous flux 4925 lm
 Luminaire luminous efficiency 95,4 lm/W

Service life of the LED

Ambient temperature $t_a = 25 \text{ }^\circ\text{C}$
 – at > 500,000h: L 70 B 50

max. ambient temperature $t_a = 40 \text{ }^\circ\text{C}$
 – at > 500,000h: L 70 B 50

Ambient temperature $t_{a \text{ max}} = 50 \text{ }^\circ\text{C}$ (80 %)
 LED psu: 50,000h
 LED module: 50,000h

BEGA Thermal Control® protects temperature-sensitive luminaire components by temporarily limiting the nominal power at high temperatures.

Inrush current

Inrush current: 5 A / 100 μs
 Maximum number of luminaires of this type per miniature circuit breaker:
 B 10A: 27 luminaires
 B 16A: 44 luminaires
 C 10A: 27 luminaires
 C 16A: 44 luminaires

Light technique

Luminaire data for the light planning program DIALux for outdoor lighting, street lighting and indoor lighting as well as luminaire data in EULUMDAT- and IES-format you will find on the BEGA web page www.bega.com.

Article No. 84 147

LED colour temperature optionally 4000 K or 3000 K
 4000 K – Article number + **K4**
 3000 K – Article number + **K3**

Colour graphite or silver
 graphite – article number
 silver – article number + **A**

Accessories

For this luminaire we recommend the following BEGA luminaire poles:

Tapered steel poles without visible welding seam - hot-dip galvanised and lacquered with access door and C-clamp

70 886 Pole with anch.section H 5000 mm
70 834 Pole with anch.section H 6000 mm
70 835 Pole with anch.section H 7000 mm
70 836 Pole with anch.section H 8000 mm
70 836 Pole with anch.section H 9000 mm

Tapered steel luminaire poles longitudinally seam-welded · hot-dip galvanised and lacquered with access door and C rail

71 002 Pole with anch.section H 6000 mm
71 004 Pole with anch.section H 7000 mm
71 006 Pole with anch.section H 8000 mm
71 008 Pole with anch.section H 9000 mm

For suitable connection boxes please see the instructions for use of the luminaire poles.

Light distribution