

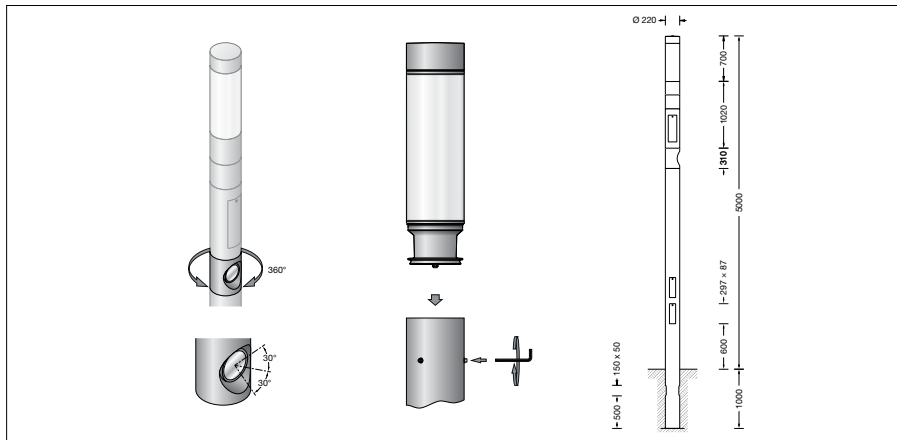
**BEGA****84 129**

WiFi Light building element



Project · Reference number

Date



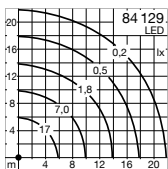
## Product data sheet

**Application**

Light building element with symmetrical light distribution for illuminating and designing squares, driveways and entrance areas. With adjustable LED floodlight for the illumination of architectural details in the immediate vicinity of the luminaires. With integral high-performance aerial unit and ready for connection of a WiFi module / access point.

**Product description**

Luminaire made of cast aluminium, aluminium and stainless steel  
Synthetic diffuser, clear  
Reflector made of pure anodised aluminium  
Pole made of aluminium  
2 opposing cable entry points 150 × 50 mm  
Screw-on ground plate approx. 250 × 250 mm  
With 3 die-cast aluminium doors, square door latch (wrench size 8 mm)  
4 integral dual band Omni aerials  
Frequency range 2.4–2.5 and 5.15–5.875 GHz  
Connection box 70647  
for through-wiring – for 2 cables up to 5 × 16<sup>□</sup> with 3 fuses Neozed D 01 · 6 A  
Additional C-rail for on-site installation of a media converter, e.g. fibre optic-LAN converter  
LED power supply unit  
220-240 V ~ 50/60 Hz  
DALI controllable  
A basic isolation exists between power cable and control line  
Safety class I  
Protection class IP 65  
Dust-tight and protection against water jets  
Impact strength IK08  
Protection against mechanical impacts < 5 joule  
 – Safety mark  
 – Conformity mark  
Wind catching area: 1.1 m<sup>2</sup>  
Weight: 61.0 kg

**Light distribution****Lamp****Luminaire head**

Module connected wattage 46.8 W  
Luminaire connected wattage 52 W  
Rated temperature  $t_a = 25\text{ °C}$   
Ambient temperature  $t_{a\text{ max}} = 50\text{ °C}$

**84 129 K4**

Module designation LED-0501/840  
Colour temperature 4000 K  
Colour rendering index CRI > 80  
Module luminous flux 9160 lm  
Luminaire luminous flux 6459 lm  
Luminaire luminous efficiency 124,2 lm/W

**84 129 K3**

Module designation LED-0501/830  
Colour temperature 3000 K  
Colour rendering index CRI > 80  
Module luminous flux 8905 lm  
Luminaire luminous flux 6279 lm  
Luminaire luminous efficiency 120,8 lm/W

**Floodlight**

Module connected wattage 11.5 W  
Floodlight connected wattage 13 W  
Rated temperature  $t_a = 25\text{ °C}$   
Ambient temperature  $t_{a\text{ max}} = 50\text{ °C}$

**84 129 K4**

Module designation LED-0833/840  
Colour temperature 4000 K  
Colour rendering index CRI > 80  
Module luminous flux 2010 lm  
Luminaire luminous flux 1117 lm  
Luminaire luminous efficiency 85,9 lm/W

**84 129 K3**

Module designation LED-0833/830  
Colour temperature 3000 K  
Colour rendering index CRI > 80  
Module luminous flux 1830 lm  
Luminaire luminous flux 1017 lm  
Luminaire luminous efficiency 78,2 lm/W

For special lighting applications, it is possible to alter the symmetrical light cone to create wide beam or flat beam light distribution by changing the cover glass.

**Service life of the LED**

Ambient temperature  $t_a = 25\text{ °C}$   
– at 487,000 h: L70 B50

max. ambient temperature  $t_a = 50\text{ °C}$   
– at 107,000 h: L70 B50

**Inrush current**

Inrush current: 8 A / 100 μs  
Maximum number of luminaires of this type per miniature circuit breaker:  
B 10A: 13 luminaires  
B 16A: 22 luminaires  
C 10A: 13 luminaires  
C 16A: 22 luminaires

**Article No. 84 129**

LED colour temperature optionally 4000 K or 3000 K  
4000 K – Article number + **K4**  
3000 K – Article number + **K3**

Colour graphite or silver  
graphite – article number  
silver – article number + **A**

**Accessories**

**10 047** Exchangeable lens wide beam  
**10 016** Exchangeable lens flat beam

For the accessories a separate instructions for use can be provided upon request.