

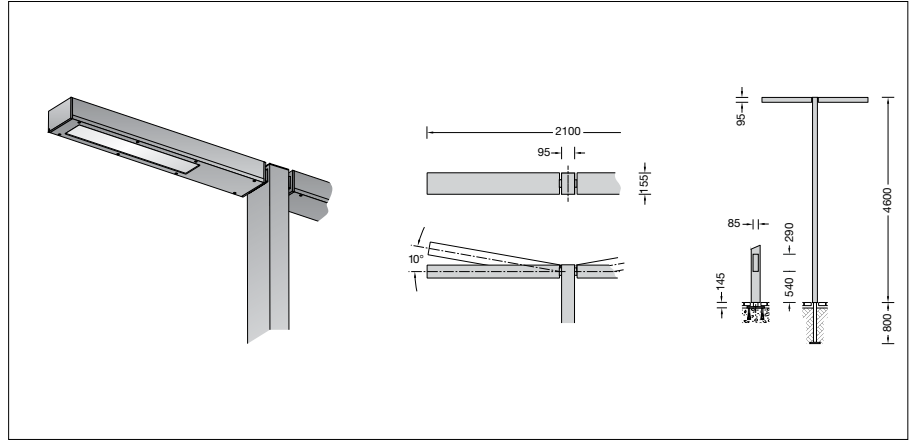
BEGA**84 127**

Light building element



Project · Reference number

Date



Product data sheet

Application

LED light building element in double arrangement with flat beam light distribution.

Product description

The luminaire consists of aluminium profiles, cast aluminium and stainless steel
 BEGA Unidure® coating technology
 Safety glass with optical structure
 Silicone gasket
 Reflector made of pure anodised aluminium
 Attack angle adjustable 0° or 10°
 Fixing of the light building element with anchorage unit **71 140** or mounting base **70 833** for bolting onto a foundation (see accessories)
 With inserted door made of die cast aluminium
 Square door latch (wrench size 8 mm)
 Connection box 70 629 for through-wiring – for 2 cables up to 5 × 10³ with two fuses Neozed D 01 · 6 A
 LED power supply unit
 220-240 V ~ 0/50-60 Hz
 DC 176-264 V
 DALI controllable
 A basic isolation exists between power cable and control line
 BEGA Thermal Control®
 Temporary thermal regulation to protect temperature-sensitive components without switching off the luminaire
 Safety class I
 Protection class IP 65
 Dust-tight and protection against water jets
 Impact strength IK07
 Protection against mechanical impacts < 2 joule
 – Safety mark
CE – Conformity mark
 Wind catching area: 0.9 m²
 Weight: 50.0 kg

Lamp

Module connected wattage 2x 38.8 W
 Luminaire connected wattage 86.2 W
 Rated temperature $t_a = 25\text{ °C}$
 Ambient temperature $t_{a\text{ max}} = 40\text{ °C}$

84 127 K4

Module designation 8x LED-0147/840
 Colour temperature 4000 K
 Colour rendering index CRI > 80
 Module luminous flux 15440 lm
 Luminaire luminous flux 10112 lm
 Luminaire luminous efficiency 117,3 lm/W

84 127 K3

Module designation 8x LED-0147/830
 Colour temperature 3000 K
 Colour rendering index CRI > 80
 Module luminous flux 15040 lm
 Luminaire luminous flux 9837 lm
 Luminaire luminous efficiency 114,1 lm/W

Service life · Ambient temperature

Rated temperature $t_a = 25\text{ °C}$
 LED psu: > 50,000 h
 LED module: > 200,000 h (L 80 B 50)
 100,000 h (L 90 B 50)

Ambient temperature $t_{a\text{ max}} = 40\text{ °C}$ (100 %)

LED psu: 50,000 h
 LED module: 172,000 h (L 80 B 50)
 100,000 h (L 90 B 50)

Ambient temperature $t_{a\text{ max}} = 50\text{ °C}$ (90 %)

LED psu: 50,000 h
 LED module: > 50,000 h (L 70 B 50)

BEGA Thermal Control® protects temperature-sensitive luminaire components by temporarily limiting the nominal power at high temperatures.

Inrush current

Inrush current: 5 A / 100 μs
 Maximum number of luminaires of this type per miniature circuit breaker:

B 10A: 35 luminaires
 B 16A: 56 luminaires
 C 10A: 35 luminaires
 C 16A: 56 luminaires

Light technique

Luminaire data for the light planning program DIALux for outdoor lighting, street lighting and indoor lighting as well as luminaire data in EULUMDAT- and IES-format you will find on the BEGA web page www.bega.com.

Article No. 84 127

LED colour temperature optionally 4000 K or 3000 K
 4000 K – Article number + **K4**
 3000 K – Article number + **K3**

Colour graphite or silver
 graphite – article number
 silver – article number + **A**

Accessories

71 140 Anchorage unit
70 833 Mounting base

A separate instructions for use can be provided upon request.

Light distribution