

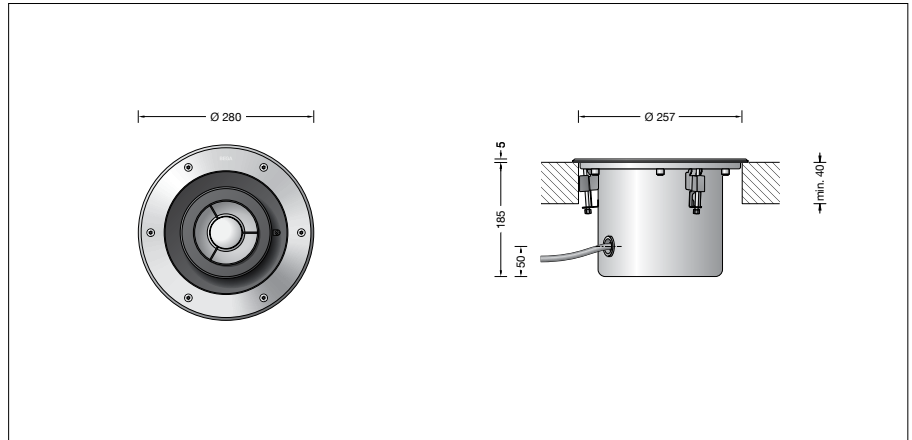
BEGA**84 114**

In-ground luminaire



Project · Reference number

Date



Product data sheet

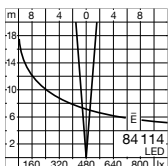
Product description

Luminaire made of stainless steel
 Steel grade no. 1.4301
 Clear safety glass
 Stray light lens tube with integral silicone lens
 Reflector surface made of pure aluminium
 Required recessed opening \varnothing 257 mm
 Minimum material thickness 40 mm
 Fixing is achieved by using three wedge-shaped clamping elements
 1,8 m water-resistant connecting cable
 07RN8-F 5G 1[□] with implemented water stopper and 1.2 m PVC cable conduit
 LED power supply unit
 220-240 V \sim 0/50-60 Hz
 DC 176-276 V
 DALI controllable
 A basic isolation exists between power cable and control line
 Safety class I
 Protection class IP 68 10 m
 Dust-tight and water pressure tight
 Maximum submersion depth 10 m
 Not suitable for permanent operation under water
 Pressure load 2,000 kg (20 kN)
 Impact strength IK10
 Protection against mechanical impacts < 20 joule
 Maximum surface temperature 35 °C (measured according to EN 60598 of t_a 15 °C)
CE – Conformity mark
 – Safety mark
 Weight: 6.0 kg

Service life of the LED

Ambient temperature $t_a = 25$ °C
 – at 160,000h: L70B50

max. ambient temperature $t_a = 30$ °C
 – at 145,000h: L70B50

Light distribution**Application**

Narrow beam in-ground floodlight with swivel-mounted and rotatable optical system.
 Luminaire for installation in cut-outs in floors.
 Drive-over luminaire for vehicles with pneumatic tyres.

Please note:

Luminaire must not be used for installation in road lanes, where the fixture is exposed to a horizontal strain due to braking, acceleration and change of direction.
 For walk-through public areas, we recommend skid-blocking glass – see accessories.

Lamp

Module connected wattage	18.5 W
Luminaire connected wattage	21 W
Rated temperature	$t_a = 25$ °C
Ambient temperature	$t_{a \max} = 30$ °C

On request we can offer you modifications for environments with higher temperatures as a customized product.

84 114 K4

Module designation	LED-0713/840
Colour temperature	4000 K
Colour rendering index	CRI > 80
Module luminous flux	2700 lm
Luminaire luminous flux	1013 lm
Luminaire luminous efficiency	48,2 lm/W

84 114 R K4

Module designation	LED-0713/840
Colour temperature	4000 K
Colour rendering index	CRI > 80
Module luminous flux	2700 lm

84 114 K3

Module designation	LED-0713/830
Colour temperature	3000 K
Colour rendering index	CRI > 80
Module luminous flux	2445 lm
Luminaire luminous flux	917 lm
Luminaire luminous efficiency	43,7 lm/W

84 114 R K3

Module designation	LED-0713/830
Colour temperature	3000 K
Colour rendering index	CRI > 80
Module luminous flux	2445 lm

Inrush current

Inrush current: 12 A / 24.2 μ s
 Maximum number of luminaires of this type per miniature circuit breaker:
 B 10A: 50 luminaires
 B 16A: 50 luminaires
 C 10A: 50 luminaires
 C 16A: 50 luminaires

Light technique

Recessed luminaire with adjustable optical system.
 Optical system 0-30° swivel-mounted and \pm 180° infinitely rotatable.
 Narrow beam symmetrical light distribution with integrated glass lens for stray light suppression.

Half beam angle 8°

Article No. 84 114

LED colour temperature optionally 4000K or 3000K
 4000 K – Article number + **K4**
 3000 K – Article number + **K3**

We supply this luminaire with skid-blocking glass which is denoted by **R** after the article number.

Accessories

14001088R Skid-blocking glass
 BEGA skid-blocking glass with the highest rating R 13 according to DIN 51130 can be used without restriction for all public areas.
 Abrasion resistance according to EN ISO 10545-7 Class 3

Distribution box for installation in soil

70730 Distribution box with 7 cable entries
 Connection terminals 5 x 4[□]

71053 Distribution box with 10 cable entries
 Connection terminals 6 x 16[□]

A separate instructions for use can be provided upon request.