

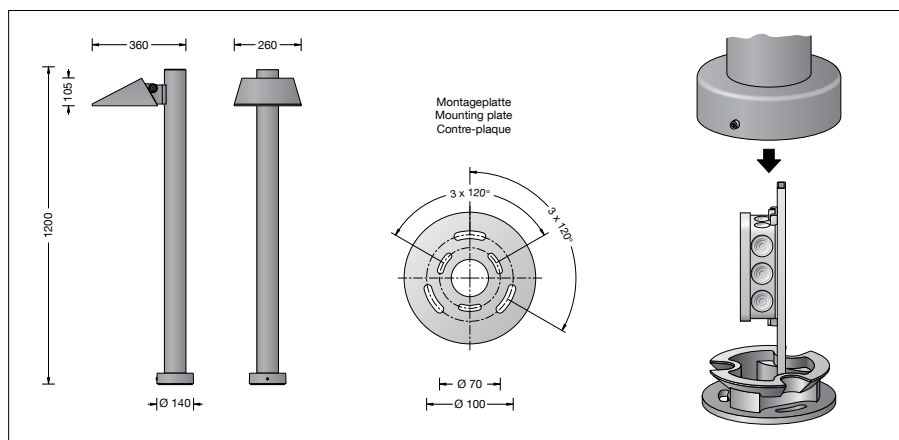
BEGA**84 107**

Bollard

IP 65

Project · Reference number

Date



Product data sheet

Product description

Luminaire made of aluminium alloy, aluminium and stainless steel
 Safety glass
 Silicone gasket
 Reflector made of pure anodised aluminium
 Swivel range 90°
 Luminaire with mounting plate for bolting onto a foundation or an anchorage unit
 Mounting plate with two pitch circles:
 \varnothing 70 mm, 3 elongated holes 7 mm wide
 \varnothing 100 mm, 3 elongated holes 9 mm wide
 Luminaire can be aligned on the mounting plate around 360°
 Mounting bracket with connection box for through-wiring of up to $5 \times 2,5^2$
 LED power supply unit
 220-240 V \sim 0/50-60 Hz
 DC 176-276 V
 DALI controllable
 A basic isolation exists between power cable and control line
 BEGA Thermal Control®
 Temporary thermal regulation to protect temperature-sensitive components without switching off the luminaire
 Safety class I
 Protection class IP 65
 Dust-tight and protection against water jets
 Impact strength IK08
 Protection against mechanical impacts < 5 joule
CE – Conformity mark
 Weight: 7.0 kg

Application

Shielded LED bollard with asymmetrical light distribution for the illumination of squares, access roads and entry areas.
 The luminaire housing is adjustable, allowing the light distribution to be adapted to the requirements of the installation site.

Lamp

Module connected wattage 19.4 W
 Luminaire connected wattage 22.2 W
 Rated temperature $t_a = 25 \text{ }^\circ\text{C}$
 Ambient temperature $t_{a \text{ max}} = 50 \text{ }^\circ\text{C}$

84 107 K4

Module designation LED-0872/940
 Colour temperature 4000 K
 Colour rendering index CRI > 90
 Module luminous flux 3310 lm
 Luminaire luminous flux 2661 lm
 Luminaire luminous efficiency 119,9 lm/W

84 107 K3

Module designation LED-0872/930
 Colour temperature 3000 K
 Colour rendering index CRI > 90
 Module luminous flux 3130 lm
 Luminaire luminous flux 2516 lm
 Luminaire luminous efficiency 113,3 lm/W

Service life · Ambient temperature

Rated temperature $t_a = 25 \text{ }^\circ\text{C}$
 LED psu: > 50,000 h
 LED module: > 200,000 h (L80 B50)
 100,000 h (L90 B50)

Ambient temperature $t_{a \text{ max}} = 50 \text{ }^\circ\text{C}$ (100 %)
 LED psu: 50,000 h
 LED module: 91,000 h (L80 B50)
 100,000 h (L70 B50)

Inrush current

Inrush current: 12 A / 24.2 μs
 Maximum number of luminaires of this type per miniature circuit breaker:
 B 10A: 50 luminaires
 B 16A: 50 luminaires
 C 10A: 50 luminaires
 C 16A: 50 luminaires

Light technique

Luminaire data for the light planning program DIALux for outdoor lighting, street lighting and indoor lighting as well as luminaire data in EULUMDAT- and IES-format you will find on the BEGA web page www.bega.com.

Article No. 84 107

LED colour temperature optionally 4000 K or 3000 K
 4000 K – Article number + **K4**
 3000 K – Article number + **K3**

Colour graphite or silver
 graphite – article number
 silver – article number + **A**

Accessory

70 895 Anchorage unit with mounting flange made of hot-dip galvanised steel. Total length 400 mm. 3 stainless steel fixing screws M8. Pitch circle \varnothing 100 mm.

See the separate instructions for use.

Light distribution

