

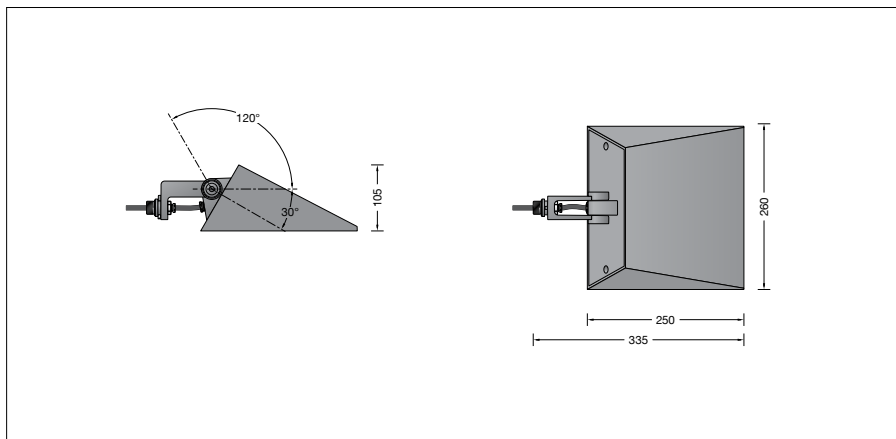
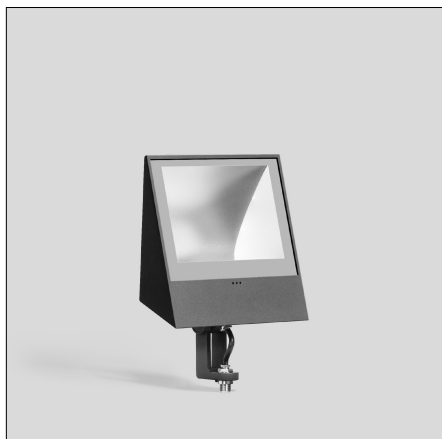
BEGA**84 099**

Surface washer



Project · Reference number

Date



Product data sheet

Application

LED surface washer with asymmetrical light distribution and mounting bush G ½ for illuminating wall, ceiling, ground surfaces and advertising boards.

The floodlight can be bolted together with any female thread G ½ according to ISO 228 supplied by others or to BEGA accessories.

Product description

Luminaire made of aluminium alloy, aluminium and stainless steel
BEGA Unidure® coating technology
Safety glass

Reflector surface made of pure aluminium
Mounting bracket with G½ threaded connection
Thread length: 14 mm
Rotation range surface floodlight 315°
Swivel range -30°/+120°
Connecting cable ÖLFLEX ROBUST 210 5 G 1,0
Cable length 1 m
LED power supply unit
220-240 V ~ 0/50-60 Hz
DC 176-276 V
DALI controllable
A basic isolation exists between power cable and control line
BEGA Thermal Control®
Temporary thermal regulation to protect temperature-sensitive components without switching off the luminaire
Safety class I
Protection class IP 65
Dust-tight and protection against water jets
Impact strength IK08
Protection against mechanical impacts < 5 joule
 – Safety mark
 – Conformity mark
 Wind catching area: 0.07 m²
 Weight: 2.8 kg

Lamp

Module connected wattage 19.4 W
Luminaire connected wattage 22.2 W
Rated temperature $t_a = 25\text{ °C}$
Ambient temperature $t_{a\text{max}} = 50\text{ °C}$

84 099 K4

Module designation LED-0872/940
Colour temperature 4000 K
Colour rendering index CRI >90
Module luminous flux 3310 lm
Luminaire luminous flux 2661 lm
Luminaire luminous efficiency 119,9 lm/W

84 099 K3

Module designation LED-0872/930
Colour temperature 3000 K
Colour rendering index CRI >90
Module luminous flux 3130 lm
Luminaire luminous flux 2516 lm
Luminaire luminous efficiency 113,3 lm/W

Service life · Ambient temperature

Rated temperature $t_a = 25\text{ °C}$
LED psu: > 50,000 h
LED module: > 200,000 h (L 80 B 50)
100,000 h (L 90 B 50)

Ambient temperature $t_{a\text{max}} = 50\text{ °C}$ (100 %)

LED psu: 50,000 h
LED module: 91,000 h (L 80 B 50)
100,000 h (L 70 B 50)

Light technique

Luminaire data for the light planning program DIALux for outdoor lighting, street lighting and indoor lighting as well as luminaire data in EULUMDAT- and IES-format you will find on the BEGA web page www.bega.com.

Inrush current

Inrush current: 12 A / 24.2 μs
Maximum number of luminaires of this type per miniature circuit breaker:
B 10A: 50 luminaires
B 16A: 50 luminaires
C 10A: 50 luminaires
C 16A: 50 luminaires

Article No. 84 099

LED colour temperature optionally 4000 K or 3000 K
4000 K – Article number + **K4**
3000 K – Article number + **K3**

Colour graphite or silver
graphite – article number
silver – article number + **A**

Accessories

70 214 Pole cap for pole top \varnothing 48 mm
70 248 Pole cap for pole top \varnothing 60 mm
70 249 Pole cap for pole top \varnothing 76 mm
70 229 Pole cap for pole top \varnothing 82 mm
70 221 Mounting box for anchorage unit
70 245 Mounting box · rectangular
70 252 Wood screw
70 280 Tube clamp
70 283 Screw clamp
70 379 Cross beam
70 889 Lashing strap

For the accessories a separate instructions for use can be provided upon request.

Light distribution

