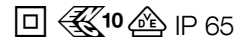


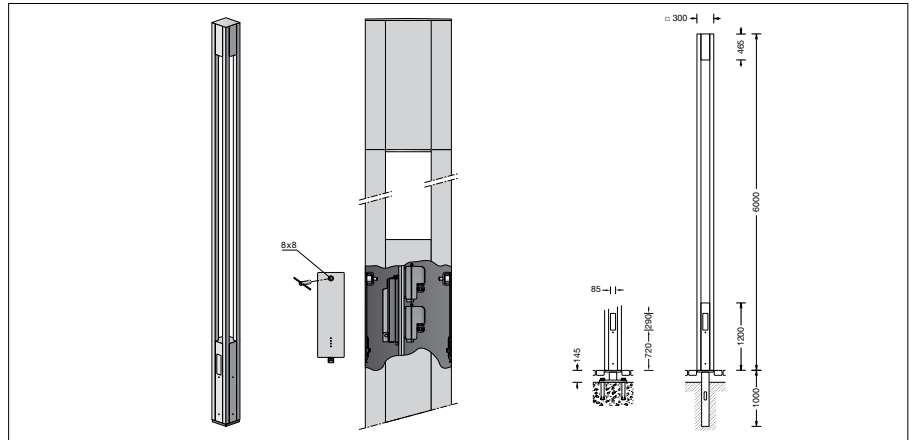
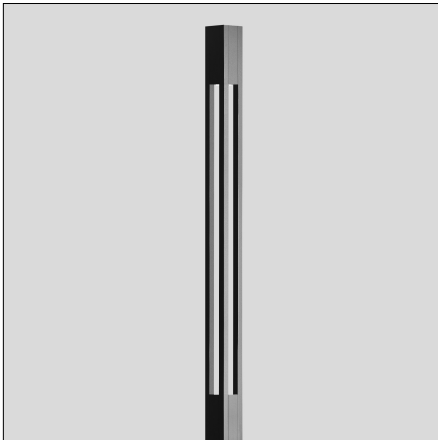
BEGA**84 083**

Light building element



Project · Reference number

Date



Product data sheet

Application

Light building element with square profile and rotationally symmetrical light distribution. Light building elements are luminaires which can divide and structure areas in exterior application. They have a orientating, directing and demarcating function.

Product description

The luminaire consists of aluminium profiles, cast aluminium and stainless steel
Clear safety glass · Silicone gasket
Reflector made of pure anodised aluminium
Fixing of the light building element with anchorage unit **71 135** or mounting base **70 848** for bolting onto a foundation (see accessories)
With 2 inserted doors made of die cast aluminium, square door latch (wrench size 8 mm)
Mounting bracket with connection box 70 629 for 2 cables up to 5×10^3 with two fuses Neozed D 01 · 6 A
LED power supply unit
220-240 V \sim 0/50-60 Hz
DC 176-264 V
During DC operation the LED power is reduced to 50 %
DALI controllable
A basic isolation exists between power cable and control line
Safety class II
Protection class IP 65
Dust-tight and protection against water jets
Impact strength IK10
Protection against mechanical impacts < 20 joule
 – Safety mark
 – Conformity mark
Wind catching area: 2 m²
Weight: 89.0 kg

Lamp

Module connected wattage 58.6 W
Luminaire connected wattage 65.2 W
Rated temperature $t_a = 25 \text{ }^\circ\text{C}$
Ambient temperature $t_{a \text{ max}} = 50 \text{ }^\circ\text{C}$

84 083 K4

Module designation LED-0837/840
Colour temperature 4000 K
Colour rendering index CRI > 80
Module luminous flux 11450 lm
Luminaire luminous flux 5360 lm
Luminaire luminous efficiency 82,2 lm/W

84 083 K3

Module designation LED-0837/830
Colour temperature 3000 K
Colour rendering index CRI > 80
Module luminous flux 11130 lm
Luminaire luminous flux 5210 lm
Luminaire luminous efficiency 79,9 lm/W

Service life of the LED

Ambient temperature $t_a = 25 \text{ }^\circ\text{C}$
– at > 500,000h: L 70 B 50

max. ambient temperature $t_a = 50 \text{ }^\circ\text{C}$
– at 142,000h: L 70 B 50

Inrush current

Inrush current: 8 A / 100 μs
Maximum number of luminaires of this type per miniature circuit breaker:
B 10A: 13 luminaires
B 16A: 22 luminaires
C 10A: 13 luminaires
C 16A: 22 luminaires

Light technique

The partly matted safety glass of the BEGA light building element is visible with its complete material thickness. By means of the laterally emitted light the light distribution is widely spread and the vertical illuminance increased.

Article No. 84 083

LED colour temperature optionally 4000 K or 3000 K
4000 K – Article number + **K4**
3000 K – Article number + **K3**

Colour graphite or silver
graphite – article number
silver – article number + **A**

Accessories

71 135 Anchorage unit
70 848 Mounting base

A separate instructions for use can be provided upon request.

Light distribution