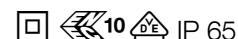


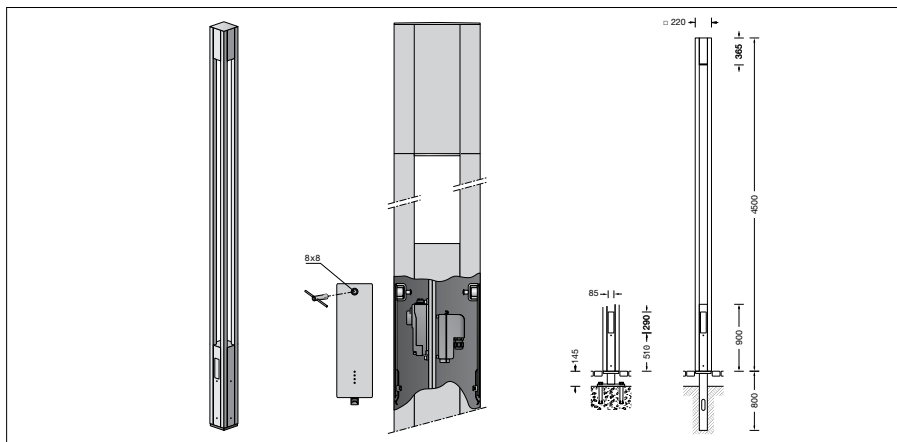
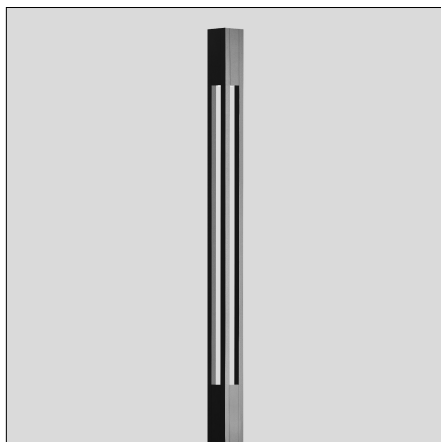
**BEGA****84 065**

Light building element



Project · Reference number

Date



## Product data sheet

**Application**

Light building element with square profile and rotationally symmetrical light distribution. Light building elements are luminaires which can divide and structure areas in exterior application. They have an orientating, directing and demarcating function.

**Product description**

The luminaire consists of aluminium profiles, cast aluminium and stainless steel  
 Clear safety glass · Silicone gasket  
 Reflector made of pure anodised aluminium  
 Fixing of the light building element with anchorage unit **71 137** or mounting base **70 829** for bolting onto a foundation (see accessories)  
 With 2 inserted doors made of die cast aluminium, square door latch (wrench size 8 mm)  
 Mounting bracket with connection box 70 632 for through-wiring – for 2 cables up to  $5 \times 4^2$  with fuse Neozed D 01 · 6 A  
 LED power supply unit  
 220-240 V  $\sim$  0/50-60 Hz  
 DC 176-264 V  
 During DC operation the LED power is reduced to 50 %  
 DALI controllable  
 A basic isolation exists between power cable and control line  
 Safety class II   
 Protection class IP 65  
 Dust-tight and protection against water jets  
 Impact strength IK06  
 Protection against mechanical impacts < 1 joule  
 – Safety mark  
 – Conformity mark  
 Wind catching area: 1.14 m<sup>2</sup>  
 Weight: 58.0 kg

**Lamp**

Module connected wattage 39 W  
 Luminaire connected wattage 43.5 W  
 Rated temperature  $t_a = 25^\circ\text{C}$   
 Ambient temperature  $t_{a\text{max}} = 35^\circ\text{C}$

**84 065 K4**

Module designation LED-0808/840  
 Colour temperature 4000 K  
 Colour rendering index CRI > 80  
 Module luminous flux 7630 lm  
 Luminaire luminous flux 2716 lm  
 Luminaire luminous efficiency 62,4 lm/W

**84 065 K3**

Module designation LED-0808/830  
 Colour temperature 3000 K  
 Colour rendering index CRI > 80  
 Module luminous flux 7420 lm  
 Luminaire luminous flux 2641 lm  
 Luminaire luminous efficiency 60,7 lm/W

**Service life of the LED**

Ambient temperature  $t_a = 25^\circ\text{C}$   
 – at 423,000 h: L70 B50

max. ambient temperature  $t_a = 35^\circ\text{C}$   
 – at 226,000 h: L70 B50

Ambient temperature  $t_{a\text{max}} = 50^\circ\text{C}$  (80 %)

LED psu: 50,000 h  
 LED module: 50,000 h

BEGA Thermal Control® protects temperature-sensitive luminaire components by temporarily limiting the nominal power at high temperatures.

**Inrush current**

Inrush current: 5 A / 100  $\mu\text{s}$   
 Maximum number of luminaires of this type per miniature circuit breaker:  
 B10A: 27 luminaires  
 B16A: 44 luminaires  
 C10A: 27 luminaires  
 C16A: 44 luminaires

**Light technique**

The partly matted safety glass of the BEGA light building element is visible with its complete material thickness. By means of the laterally emitted light the light distribution is widely spread and the vertical illuminance increased.

**Article No. 84 065**

LED colour temperature optionally 4000 K or 3000 K  
 4000 K – Article number + **K4**  
 3000 K – Article number + **K3**

Colour graphite or silver  
 graphite – article number  
 silver – article number + **A**

**Accessories**

**71 137** Anchorage unit  
**70 829** Mounting base

A separate instructions for use can be provided upon request.

**Light distribution**