

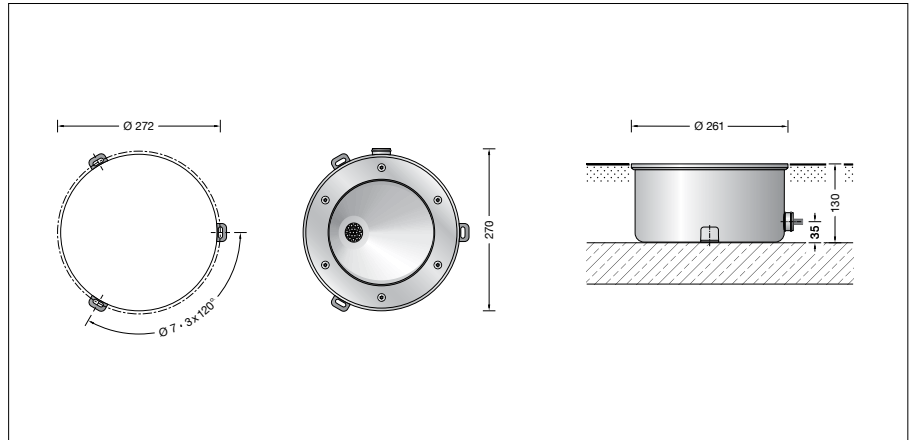
BEGA**77 979**

In-ground luminaire



Project · Reference number

Date



Product data sheet

Application

LED floodlight with asymmetrical light distribution for flush-mounting installation in compacted surfaces, paths and open areas. Drive-over luminaire for vehicles with pneumatic tyres.

Please note:

Luminaire must not be used for installation in road lanes, where the fixture is exposed to a horizontal strain due to braking, acceleration and change of direction.

For walk-through public areas, we recommend skid-blocking glass – see accessories.

Product description

Cover ring Luminaire housing made of stainless steel and cast stainless steel
Steel grade number 1.4301

Clear safety glass

Silicone gasket

Reflector made of pure anodised aluminium

1,8 m water-resistant connecting cable

07RN8-F 5G 1[□] with implemented water stopper and 1.2 m PVC cable conduit

LED power supply unit

220-240 V ~ 0/50-60 Hz

DC 176-280 V

DALI controllable

A basic isolation exists between power cable and control line

Safety class I

Protection class IP 68 10 m

Dust-tight and water pressure tight

Maximum submersion depth 10 m

Not suitable for permanent operation under water

Pressure load 3,000 kg (29 kN)

Impact strength IK10

Protection against mechanical

impacts < 20 joule

Maximum surface temperature 25 °C

(measured according to EN 60598 of ta 15 °C)

CE – Conformity mark

10 0 E – Safety mark

Weight: 7.2 kg

Lamp

Module connected wattage 13.7 W
Luminaire connected wattage 16.3 W
Rated temperature $t_a = 25$ °C
Ambient temperature $t_{a \max} = 30$ °C

On request we can offer you modifications for environments with higher temperatures as a customized product.

77 979 K4

Module designation LED-0341/840
Colour temperature 4000 K
Colour rendering index CRI > 80
Module luminous flux 2670 lm
Luminaire luminous flux 2052 lm
Luminaire luminous efficiency 125,9 lm/W

77 979 R K4

Module designation LED-0341/840
Colour temperature 4000 K
Colour rendering index CRI > 80
Module luminous flux 2670 lm
Luminaire luminous flux 1510 lm
Luminaire luminous efficiency 92,6 lm/W

77 979 K3

Module designation LED-0341/830
Colour temperature 3000 K
Colour rendering index CRI > 80
Module luminous flux 2600 lm
Luminaire luminous flux 1998 lm
Luminaire luminous efficiency 122,6 lm/W

77 979 R K3

Module designation LED-0341/830
Colour temperature 3000 K
Colour rendering index CRI > 80
Module luminous flux 2600 lm
Luminaire luminous flux 1440 lm
Luminaire luminous efficiency 88,3 lm/W

Service life of the LED

Ambient temperature $t_a = 25$ °C
– at > 500,000h: L70B50

max. ambient temperature $t_a = 30$ °C
– at 384,000h: L70B50

Inrush current

Inrush current: 5 A / 50 μ s
Maximum number of luminaires of this type per miniature circuit breaker:
B 10A: 31 luminaires
B 16A: 50 luminaires
C 10A: 52 luminaires
C 16A: 85 luminaires

Light technique

Floodlight with asymmetrical light distribution.
Half beam angle 28/27°
Luminaire data for the light planning program DIALux for outdoor lighting, street lighting and indoor lighting, as well as luminaire data in EULUMDAT and IES format are available on the BEGA website at www.bega.com.

Article No. 77 979

LED colour temperature optionally 4000K or 3000K

4000 K – Article number + **K4**

3000 K – Article number + **K3**

We supply this luminaire with skid-blocking glass which is denoted by **R** after the article number.

Accessories

14000225R Skid-blocking glass
BEGA skid-blocking glass with the highest rating R 13 according to DIN 51130 can be used without restriction for all public areas.
Abrasion resistance according to EN ISO 10545-7 Class 3

Distribution box for installation in soil

70 730 Distribution box with 7 cable entries
Connection terminals 5 x 4[□]

71 053 Distribution box with 10 cable entries
Connection terminals 6 x 16[□]

A separate instructions for use can be provided upon request.

Light distribution