

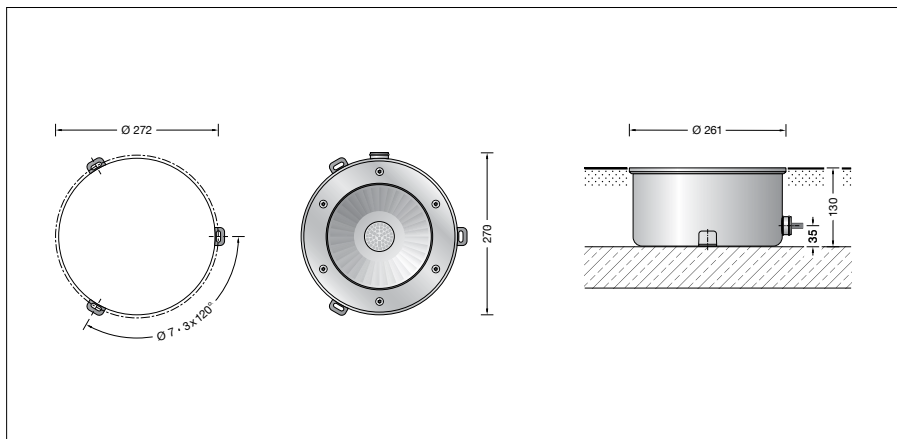
**BEGA****77 964**

In-ground luminaire



Project · Reference number

Date



## Product data sheet

**Application**

LED floodlight with symmetrical light distribution for flush-mounting installation in compacted surfaces, paths and open areas. Drive-over luminaire for vehicles with pneumatic tyres.

**Please note:**

Luminaire must not be used for installation in road lanes, where the fixture is exposed to a horizontal strain due to braking, acceleration and change of direction.

For walk-through public areas, we recommend skid-blocking glass – see accessories.

**Product description**

Cover ring Luminaire housing made of stainless steel and cast stainless steel  
Steel grade number 1.4301

Clear safety glass

Silicone gasket

Reflector made of pure anodised aluminium

1,8 m water-resistant connecting cable

07RN8-F 5G 1<sup>3</sup> with implemented water stopper and 1.2 m PVC cable conduit

LED power supply unit

220-240 V ~ 0/50-60 Hz

DC 170-280 V

DALI controllable

A basic isolation exists between power cable and control line

Safety class I

Protection class IP 68 10 m

Dust-tight and water pressure tight

Maximum submersion depth 10 m

Not suitable for permanent operation under water

Pressure load 3,000 kg (29 kN)

Impact strength IK10

Protection against mechanical impacts < 20 joule

Maximum surface temperature 25 °C

(measured according to EN 60598 of ta 15 °C)

CE – Conformity mark

10 16 – Safety mark

Weight: 7.2 kg

**Lamp**

Module connected wattage 13.7 W  
Luminaire connected wattage 16.8 W  
Rated temperature  $t_a = 25$  °C  
Ambient temperature  $t_{a\max} = 35$  °C

On request we can offer you modifications for environments with higher temperatures as a customized product.

**77 964 K4**

Module designation LED-0341/840  
Colour temperature 4000 K  
Colour rendering index CRI > 80  
Module luminous flux 2670 lm  
Luminaire luminous flux 1927 lm  
Luminaire luminous efficiency 114,7 lm/W

**77 964 R K4**

Module designation LED-0341/840  
Colour temperature 4000 K  
Colour rendering index CRI > 80  
Module luminous flux 2670 lm  
Luminaire luminous flux 1500 lm  
Luminaire luminous efficiency 89,3 lm/W

**77 964 K3**

Module designation LED-0341/830  
Colour temperature 3000 K  
Colour rendering index CRI > 80  
Module luminous flux 2600 lm  
Luminaire luminous flux 1876 lm  
Luminaire luminous efficiency 111,7 lm/W

**77 964 R K3**

Module designation LED-0341/830  
Colour temperature 3000 K  
Colour rendering index CRI > 80  
Module luminous flux 2600 lm  
Luminaire luminous flux 1401 lm  
Luminaire luminous efficiency 83,4 lm/W

**Service life of the LED**

Ambient temperature  $t_a = 25$  °C  
– at > 500,000h: L70B50

max. ambient temperature  $t_a = 35$  °C

– at 296,000h: L70B50

**Lighting technology**

Half beam angle 27°

Luminaire data for the light planning program DIALux for outdoor lighting, street lighting and interior lighting as well as luminaire data in EULUMDAT and IES format are available on our website [www.bega.com](http://www.bega.com).

**Inrush current**

Inrush current: 5 A / 50 μs

Maximum number of luminaires of this type per miniature circuit breaker:

B 10A: 31 luminaires

B 16A: 50 luminaires

C 10A: 52 luminaires

C 16A: 85 luminaires

**Article No. 77 964**

LED colour temperature optionally 4000K or 3000K

4000 K – Article number + **K4**

3000 K – Article number + **K3**

We supply this luminaire with skid-blocking glass which is denoted by **R** after the article number.

**Accessories**

**14000225R** Skid-blocking glass

BEGA skid-blocking glass with the highest rating R 13 according to DIN 51130 can be used without restriction for all public areas.

Abrasion resistance according to

EN ISO 10545-7 Class 3

Distribution box for installation in soil

**70 730** Distribution box with 7 cable entries

Connection terminals 5 x 4<sup>2</sup>

**71 053** Distribution box with 10 cable entries

Connection terminals 6 x 16<sup>2</sup>

See the separate instructions for use.

**Light distribution**