

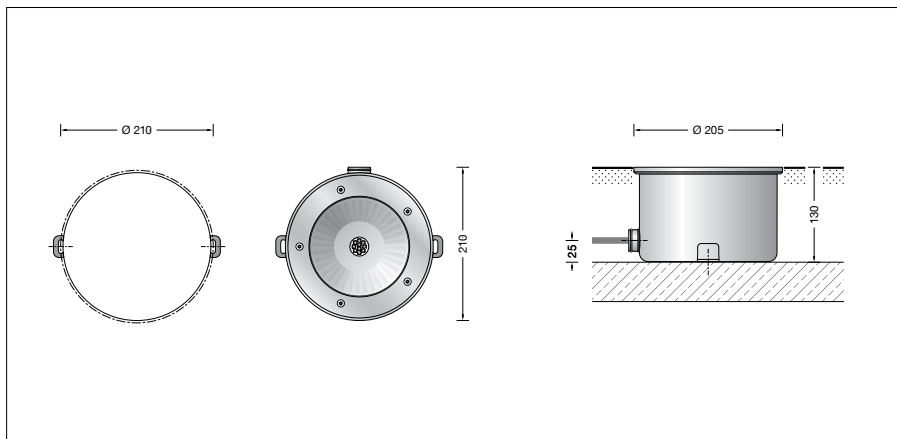
BEGA**77 961**

In-ground luminaire



Project · Reference number

Date



Product data sheet

Application

LED floodlight with symmetrical light distribution for flush-mounting installation in compacted surfaces, paths and open areas. Drive-over luminaire for vehicles with pneumatic tyres.

Please note:

Luminaire must not be used for installation in road lanes, where the fixture is exposed to a horizontal strain due to braking, acceleration and change of direction.

For walk-through public areas, we recommend skid-blocking glass – see accessories.

Product description

Cover ring Luminaire housing made of stainless steel and cast stainless steel
Steel grade number 1.4301

Clear safety glass

Reflector made of pure anodised aluminium

1,8 m water-resistant connecting cable

07RN8-F 5 G.1[□] with implemented water stopper and 1.2 m PVC cable conduit

LED power supply unit

220-240 V ~ 0/50-60 Hz

DC 176-280 V

DALI controllable

A basic isolation exists between power cable and control line

Safety class I

Protection class IP 68 10 m

Dust-tight and water pressure tight

Maximum submersion depth 10 m

Not suitable for permanent operation under water

Pressure load 3,000 kg (29 kN)

Impact strength IK10

Protection against mechanical

impacts < 20 joule

Maximum surface temperature 35 °C

(measured according to EN 60598 of t_a 15 °C)

CE – Conformity mark

– Safety mark

Weight: 4.8 kg

Lamp

Module connected wattage 8.2 W
Luminaire connected wattage 10 W
Rated temperature $t_a = 25$ °C
Ambient temperature $t_{a\max} = 30$ °C

On request we can offer you modifications for environments with higher temperatures as a customized product.

77 961 K4

Module designation LED-0340/840
Colour temperature 4000 K
Colour rendering index CRI > 80
Module luminous flux 1125 lm
Luminaire luminous flux 1041 lm
Luminaire luminous efficiency 104,1 lm/W

77 961 R K4

Module designation LED-0340/840
Colour temperature 4000 K
Colour rendering index CRI > 80
Module luminous flux 1125 lm
Luminaire luminous flux 863 lm
Luminaire luminous efficiency 86,3 lm/W

77 961 K3

Module designation LED-0340/830
Colour temperature 3000 K
Colour rendering index CRI > 80
Module luminous flux 1125 lm
Luminaire luminous flux 1041 lm
Luminaire luminous efficiency 104,1 lm/W

77 961 R K3

Module designation LED-0340/830
Colour temperature 3000 K
Colour rendering index CRI > 80
Module luminous flux 1125 lm
Luminaire luminous flux 804 lm
Luminaire luminous efficiency 80,4 lm/W

Service life of the LED

Ambient temperature $t_a = 25$ °C
– at > 500,000h: L70B50

max. ambient temperature $t_a = 30$ °C

– at 377,000h: L70B50

Lighting technology

Half beam angle 20°

Luminaire data for the light planning program DIALux for outdoor lighting, street lighting and interior lighting as well as luminaire data in EULUMDAT and IES format are available on our website www.bega.com.

Inrush current

Inrush current: 5 A / 50 μ s
Maximum number of luminaires of this type per miniature circuit breaker:
B 10A: 31 luminaires
B 16A: 50 luminaires
C 10A: 52 luminaires
C 16A: 85 luminaires

Article No. 77 961

LED colour temperature optionally 4000K or 3000K
4000 K – Article number + **K4**
3000 K – Article number + **K3**

We supply this luminaire with skid-blocking glass which is denoted by **R** after the article number.

Accessories

14000645R Skid-blocking glass
BEGA skid-blocking glass with the highest rating R 13 according to DIN 51130 can be used without restriction for all public areas.
Abrasion resistance according to EN ISO 10545-7 Class 3

Distribution box for installation in soil

70 730 Distribution box with 7 cable entries
Connection terminals 5 x 4[□]

71 053 Distribution box with 10 cable entries
Connection terminals 6 x 16[□]

A separate instructions for use can be provided upon request.

Light distribution