

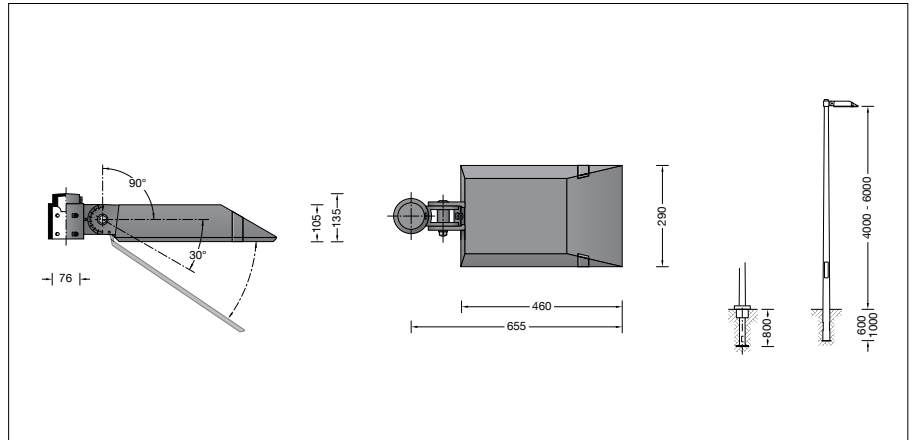
BEGA**77 939**

Pole top luminaire



Project · Reference number

Date



Product data sheet

Application

LED pole top luminaire with asymmetrical flat beam light distribution.
The asymmetrical and flat beam light distribution is suitable especially for the illumination of streets according to DIN EN 13201.
For mounting heights 4000 - 6000 mm.

Product description

Luminaire made of aluminium alloy, aluminium and stainless steel
Safety glass with optical structure
Silicone gasket
Reflector made of pure anodised aluminium
Toolless closure
Attack angle adjustable in steps of 10° up to +90°
For pole top \varnothing 76 mm
Slip fitter insert depth 90 mm
Connecting cable X05BQ-F 5 G 1 □
Cable length 6 m
LED power supply unit
220-240 V \sim 0/50-60 Hz
DC 176-264 V
During DC operation the LED power is reduced to 50 %
DALI controllable
A basic isolation exists between power cable and control line
Safety class I
Protection class IP 66
Dust-tight and protection against strong water jets
Impact strength IK09
Protection against mechanical impacts < 10 joule
 – Safety mark
 – Conformity mark
Horizontal wind catching area: 0.06 m²
Weight: 8.4 kg

Lamp

Module connected wattage 23.2 W
Luminaire connected wattage 26 W
Rated temperature $t_a = 25\text{ }^\circ\text{C}$
Ambient temperature $t_{a,max} = 60\text{ }^\circ\text{C}$

77 939 K4

Module designation 2x LED-0403/840
Colour temperature 4000 K
Colour rendering index CRI > 80
Module luminous flux 4640 lm
Luminaire luminous flux 3533 lm
Luminaire luminous efficiency 135,9 lm/W

77 939 K3

Module designation 2x LED-0403/830
Colour temperature 3000 K
Colour rendering index CRI > 80
Module luminous flux 4510 lm
Luminaire luminous flux 3434 lm
Luminaire luminous efficiency 132,1 lm/W

Service life of the LED

Ambient temperature $t_a = 25\text{ }^\circ\text{C}$
– at > 500,000h: L70B50

max. ambient temperature $t_a = 60\text{ }^\circ\text{C}$
– at 123,000h: L70B50

Light technique

Luminaire data for the light planning program DIALux for outdoor lighting, street lighting and indoor lighting as well as luminaire data in EULUMDAT- and IES-format you will find on the BEGA web page www.bega.com.

Inrush current

Inrush current: 5 A / 100 μs
Maximum number of luminaires of this type per miniature circuit breaker:
B 10A: 27 luminaires
B 16A: 44 luminaires
C 10A: 27 luminaires
C 16A: 44 luminaires

Article No. 77 939

LED colour temperature optionally 4000 K or 3000 K
4000 K – Article number + **K4**
3000 K – Article number + **K3**

Colour graphite or silver
graphite – article number
silver – article number + **A**

Accessories

For this luminaire we recommend the following BEGA luminaire poles:

Tapered aluminium poles, lacquered with access door and C-clamp

70 914	Pole with anch.section	H 4000 mm
70 725	Pole with anch.section	H 4500 mm
70 915	Pole with anch.section	H 5000 mm
70 916	Pole with anch.section	H 6000 mm
70 791	Pole with baseplate	H 4000 mm
70 792	Pole with baseplate	H 4500 mm
70 794	Pole with baseplate	H 5000 mm

For suitable connection boxes please see the instructions for use of the luminaire poles.

Light distribution