

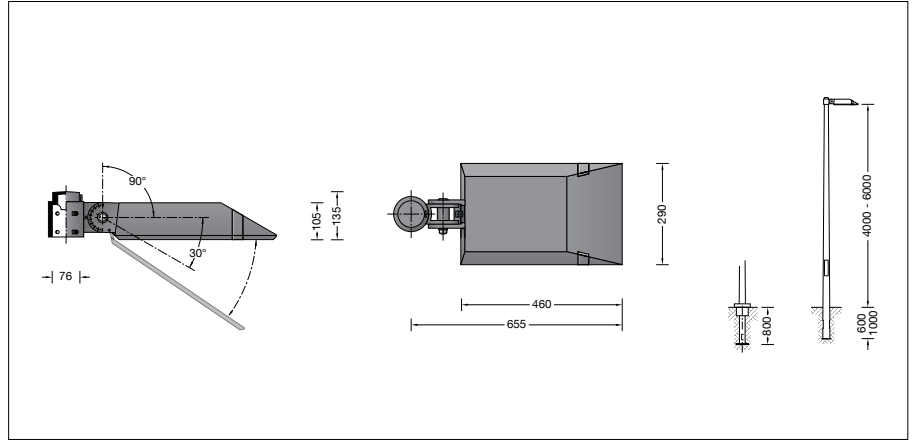
BEGA**77 928**

Pole top luminaire



Project · Reference number

Date



Product data sheet

Product description

Luminaire made of aluminium alloy,
aluminium and stainless steel
BEGA Unidure® coating technology
Safety glass with optical structure
Silicone gasket
Reflector made of pure anodised aluminium
Toolless closure
Attack angle adjustable in steps
of 10° up to +90°
For pole top ø 76 mm
Slip fitter insert depth 90 mm
Connecting cable X05BQ-F 5 G 1²
Cable length 6 m
LED power supply unit
220-240 V ~ 0/50-60 Hz
DC 176-276 V
DALI controllable
A basic isolation exists between power cable
and control line
BEGA Thermal Control®
Temporary thermal regulation to protect
temperature-sensitive components without
switching off the luminaire
Safety class I
Protection class IP 66
Dust-tight and protection against strong water
jets
Impact strength IK09
Protection against mechanical
impacts < 10 joule
 – Safety mark
CE – Conformity mark
Horizontal wind catching area: 0.06 m²
Weight: 8.4 kg

Application

LED pole top luminaire with asymmetrical flat
beam light distribution.
The asymmetrical and flat beam light distribution
is suitable especially for the illumination of
streets according to DIN EN 13201.
For mounting heights 4000 - 6000 mm.

Lamp

Module connected wattage 15.6 W
Luminaire connected wattage 18.5 W
Rated temperature $t_a = 25\text{ °C}$
Ambient temperature $t_{a\text{ max}} = 55\text{ °C}$

77 928 K4

Module designation 2x LED-0316/840
Colour temperature 4000 K
Colour rendering index CRI > 80
Module luminous flux 3090 lm
Luminaire luminous flux 2367 lm
Luminaire luminous efficiency 127,9 lm/W

77 928 K3

Module designation 2x LED-0316/830
Colour temperature 3000 K
Colour rendering index CRI > 80
Module luminous flux 3000 lm
Luminaire luminous flux 2297 lm
Luminaire luminous efficiency 124,2 lm/W

Service life · Ambient temperature

Rated temperature $t_a = 25\text{ °C}$
LED psu: > 50,000h
LED module: > 200,000h (L80B50)
100,000h (L90B50)

Ambient temperature $t_{a\text{ max}} = 55\text{ °C}$ (100 %)

LED psu: 50,000h
LED module: 121,000h (L80B50)

Inrush current

Inrush current: 12 A / 24.2 μs
Maximum number of luminaires of this
type per miniature circuit breaker:
B 10A: 50 luminaires
B 16A: 50 luminaires
C 10A: 50 luminaires
C 16A: 50 luminaires

Light technique

Luminaire data for the light planning program
DIALux for outdoor lighting, street lighting and
indoor lighting as well as luminaire data in
EULUMDAT- and IES-format you will find on the
BEGA web page www.bega.com.

Article No. 77 928

LED colour temperature optionally 4000 K
or 3000 K
4000 K – Article number + **K4**
3000 K – Article number + **K3**

Colour graphite or silver
graphite – article number
silver – article number + **A**

Accessories

For this luminaire we recommend the following
BEGA luminaire poles:

Tapered aluminium poles,
lacquered with access door and C-clamp

70 914	Pole with anch.section	H 4000 mm
70 725	Pole with anch.section	H 4500 mm
70 915	Pole with anch.section	H 5000 mm
70 916	Pole with anch.section	H 6000 mm
70 791	Pole with baseplate	H 4000 mm
70 792	Pole with baseplate	H 4500 mm
70 794	Pole with baseplate	H 5000 mm

For suitable connection boxes please see the
instructions for use of the luminaire poles.

Light distribution