

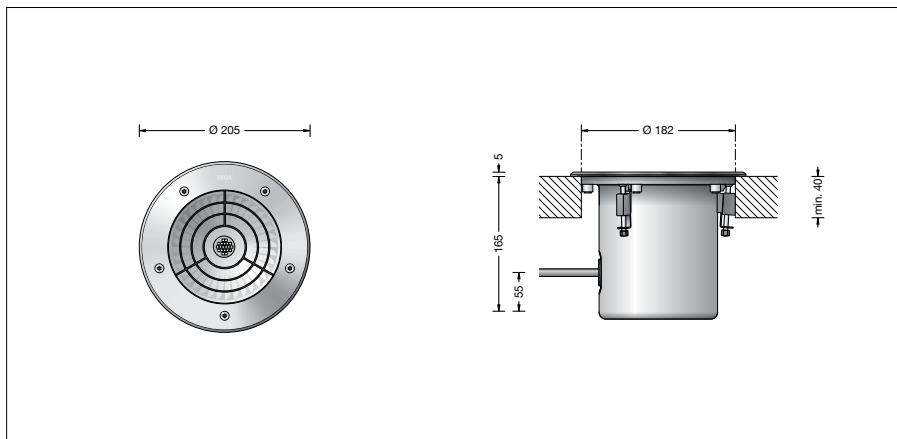
**BEGA****77 913**

In-ground luminaire

 IP 68

Project · Reference number

Date



## Product data sheet

**Application**

LED Floodlight with symmetrical light distribution for installation in cut-outs in floors. Drive-over luminaire for vehicles with pneumatic tyres.

**Please note:**

Luminaire must not be used for installation in road lanes, where the fixture is exposed to a horizontal strain due to braking, acceleration and change of direction.

For walk-through public areas, we recommend skid-blocking glass – see accessories.

**Lamp**

Module connected wattage	8.2 W
Luminaire connected wattage	10.2 W
Rated temperature	$t_a = 25\text{ °C}$
Ambient temperature	$t_{a\text{ max}} = 30\text{ °C}$

On request we can offer you modifications for environments with higher temperatures as a customized product.

**77 913 K4**

Module designation	LED-0340/840
Colour temperature	4000 K
Colour rendering index	CRI > 80
Module luminous flux	1125 lm
Luminaire luminous flux	467 lm
Luminaire luminous efficiency	45,8 lm/W

**77 913 R K4**

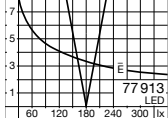
Module designation	LED-0340/840
Colour temperature	4000 K
Colour rendering index	CRI > 80
Module luminous flux	1125 lm
Luminaire luminous flux	446 lm
Luminaire luminous efficiency	43,7 lm/W


**77 913 K3**

Module designation	LED-0340/830
Colour temperature	3000 K
Colour rendering index	CRI > 80
Module luminous flux	1125 lm
Luminaire luminous flux	467 lm
Luminaire luminous efficiency	45,8 lm/W

**77 913 R K3**

Module designation	LED-0340/830
Colour temperature	3000 K
Colour rendering index	CRI > 80
Module luminous flux	1125 lm
Luminaire luminous flux	415 lm
Luminaire luminous efficiency	40,7 lm/W

**Product description**

Luminaire made of stainless steel  
Steel grade no. 1.4301  
Clear safety glass  
Silicone gasket  
Reflector made of pure anodised aluminium  
Inlying ring louvre made of aluminium  
Required recessed opening  $\varnothing$  182 mm  
Minimum material thickness 40 mm  
Fixing is achieved by using three wedge-shaped clamping elements  
1,8 m water-resistant connecting cable 07RN8-F 5G 1<sup>□</sup> with implemented water stopper and 1.2 m PVC cable conduit  
LED power supply unit  
220-240 V  $\sim$  0/50-60 Hz  
DC 176-280 V  
DALI controllable  
A basic isolation exists between power cable and control line  
Safety class I  
Protection class IP 68 10 m  
Dust-tight and water pressure tight  
Maximum submersion depth 10 m  
Not suitable for permanent operation under water  
Pressure load 2,000 kg (20 kN)  
Impact strength IK10  
Protection against mechanical impacts < 20 joule  
Maximum surface temperature 25 °C (measured according to EN 60598 of  $t_a$  15 °C)  
**CE** – Conformity mark  
 – Safety mark  
Weight: 2.9 kg

**Service life of the LED**

Ambient temperature  $t_a = 25\text{ °C}$   
– at 425,000 h: L70B50

max. ambient temperature  $t_a = 30\text{ °C}$   
– at 310,000 h: L70B50

**Inrush current**

Inrush current: 5 A / 50  $\mu$ s  
Maximum number of luminaires of this type per miniature circuit breaker:  
B10A: 31 luminaires  
B16A: 50 luminaires  
C10A: 52 luminaires  
C16A: 85 luminaires

**Lighting technology**

Half beam angle 17°  
Luminaire data for the light planning program DIALux for outdoor lighting, street lighting and interior lighting as well as luminaire data in EULUMDAT and IES format are available on our website [www.bega.com](http://www.bega.com).

**Article No. 77 913**

LED colour temperature optionally 4000 K or 3000 K  
4000 K – Article number + **K4**  
3000 K – Article number + **K3**

We supply this luminaire with skid-blocking glass which is denoted by **R** after the article number.

**Accessories**

**14000645R** Skid-blocking glass  
BEGA skid-blocking glass with the highest rating R 13 according to DIN 51130 can be used without restriction for all public areas.  
Abrasion resistance according to EN ISO 10545-7 Class 3

Distribution box for installation in soil

**70 730** Distribution box with 7 cable entries  
Connection terminals 5 x 4<sup>□</sup>

**71 053** Distribution box with 10 cable entries  
Connection terminals 6 x 16<sup>□</sup>