

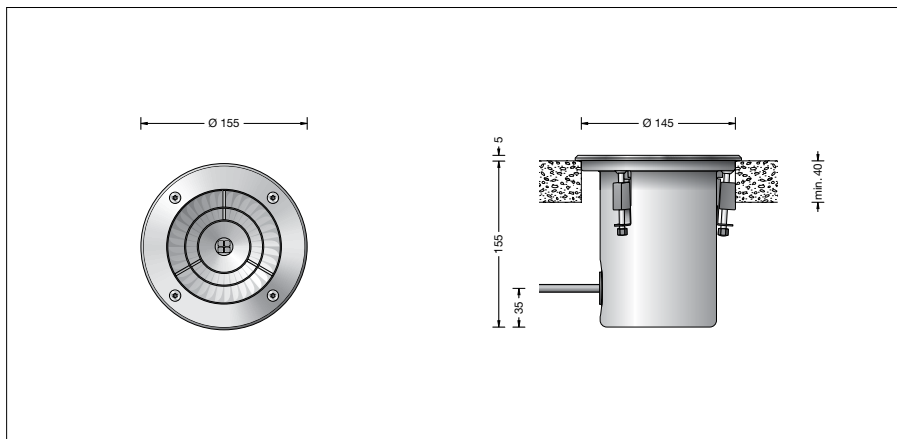
BEGA**77 912**

In-ground luminaire



Project · Reference number

Date



Product data sheet

Application

LED Floodlight with symmetrical light distribution for installation in cut-outs in floors. Drive-over luminaire for vehicles with pneumatic tyres.

Please note:

Luminaire must not be used for installation in road lanes, where the fixture is exposed to a horizontal strain due to braking, acceleration and change of direction. For walk-through public areas, we recommend skid-blocking glass – see accessories.

Product description

Luminaire made of stainless steel
Steel grade no. 1.4301
Clear safety glass
Reflector made of pure anodised aluminium
Inside louvre made of glass-fibre reinforced polyamide
Required recessed opening \varnothing 145 mm
Minimum material thickness 40 mm
Fixing is achieved by using three wedge-shaped clamping elements
1,8 m water-resistant connecting cable H07RN8-F 3G1,5[□] with implemented water stopper and 1.2 m PVC cable conduit
LED power supply unit
220-240 V \sim 0/50-60 Hz
DC 176-264 V
Safety class I
Protection class IP 68 10 m
Dust-tight and water pressure tight
Maximum submersion depth 10 m
Not suitable for permanent operation under water
Pressure load 2,000 kg (20 kN)
Impact strength IK10
Protection against mechanical impacts < 20 joule
Maximum surface temperature 20 °C (measured according to EN 60598 of t_a 15 °C)
 – Safety mark
 – Conformity mark
Weight: 1.9 kg

Lamp

Module connected wattage 3 W
Luminaire connected wattage 4.1 W
Rated temperature $t_a = 25$ °C
Ambient temperature $t_{a \max} = 45$ °C
When installed in heat-insulating material $t_{a \max} = 35$ °C

On request we can offer you modifications for environments with higher temperatures as a customized product.

77 912 K4

Module designation LED-0339/840
Colour temperature 4000 K
Colour rendering index CRI > 80
Module luminous flux 565 lm
Luminaire luminous flux 226 lm
Luminaire luminous efficiency 55,1 lm/W

77 912 R K4

Module designation LED-0339/840
Colour temperature 4000 K
Colour rendering index CRI > 80
Module luminous flux 565 lm
Luminaire luminous flux 171 lm
Luminaire luminous efficiency 41,7 lm/W

77 912 K3

Module designation LED-0339/830
Colour temperature 3000 K
Colour rendering index CRI > 80
Module luminous flux 550 lm
Luminaire luminous flux 220 lm
Luminaire luminous efficiency 53,7 lm/W

77 912 R K3

Module designation LED-0339/830
Colour temperature 3000 K
Colour rendering index CRI > 80
Module luminous flux 550 lm
Luminaire luminous flux 160 lm
Luminaire luminous efficiency 39 lm/W

Service life of the LED

Ambient temperature $t_a = 25$ °C
– at 425,000 h: L70 B50

max. ambient temperature $t_a = 45$ °C
– at 228,000 h: L70 B50

Inrush current

Inrush current: 7 A / 112 μ s
Maximum number of luminaires of this type per miniature circuit breaker:
B 10A: 38 luminaires
B 16A: 61 luminaires
C 10A: 64 luminaires
C 16A: 102 luminaires

Lighting technology

Half beam angle 15°
Luminaire data for the light planning program DIALux for outdoor lighting, street lighting and interior lighting as well as luminaire data in EULUMDAT and IES format are available on our website www.bega.com.

Article No. 77 912

LED colour temperature optionally 4000 K or 3000 K
4000 K – Article number + **K4**
3000 K – Article number + **K3**

We supply this luminaire with skid-blocking glass which is denoted by **R** after the article number.

Accessories

14000739R Skid-blocking glass
BEGA skid-blocking glass with the highest rating R 13 according to DIN 51130 can be used without restriction for all public areas. Abrasion resistance according to EN ISO 10545-7 Class 3

Distribution box for installation in soil

70 730 Distribution box with 7 cable entries
Connection terminals 5 x 4[□]

71 053 Distribution box with 10 cable entries
Connection terminals 6 x 16[□]

Light distribution