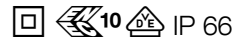


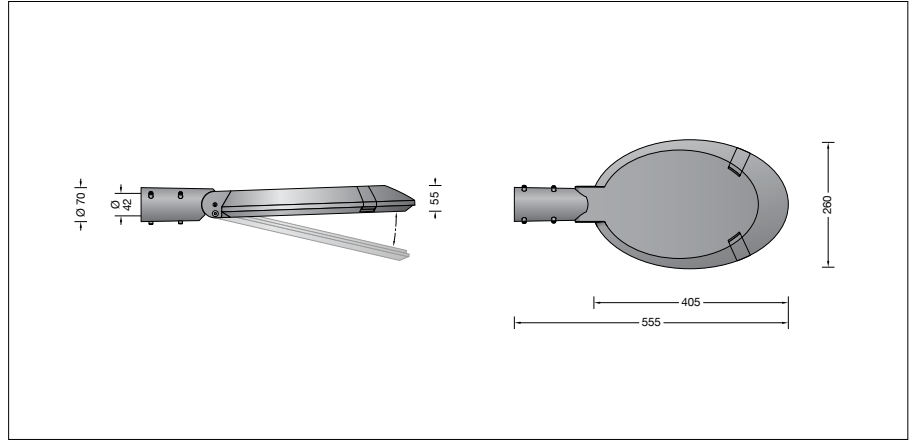
BEGA**77 897**

Side-mounted pole luminaire



Project · Reference number

Date


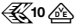



Product data sheet

Application

LED side-mounted pole luminaire with asymmetrical flat beam light distribution for bracket poles.

Product description

Luminaire made of aluminium alloy, aluminium and stainless steel
 Safety glass, antireflection-coated
 Silicone gasket
 Reflector made of pure anodised aluminium
 Toolless closure
 Adjustable joint for beam direction 0° or 15°
 For connecting nozzle \varnothing 42 mm
 Slip fitter insert depth 110 mm
 Connecting cable X05BQ-F 4 x 1[□]
 Cable length 10 m
 LED power supply unit
 220-240 V \sim 0/50-60 Hz
 DC 176-264 V
 During DC operation the LED power is reduced to 50 %
 DALI controllable
 A basic isolation exists between power cable and control line
 Safety class II 
 Protection class IP 66
 Dust-tight and protection against strong water jets
 Impact strength IK08
 Protection against mechanical impacts < 5 joule
 – Safety mark
 – Conformity mark
 Horizontal wind catching area: 0.03 m²
 Weight: 4.8 kg

Lamp

Module connected wattage	31 W
Luminaire connected wattage	34.5 W
Rated temperature	$t_a = 25\text{ °C}$
Ambient temperature	$t_{a,max} = 45\text{ °C}$

On request we can offer you modifications for environments with higher temperatures as a customized product.

77 897 K4

Module designation	2x LED-0411/840
Colour temperature	4000 K
Colour rendering index	CRI > 80
Module luminous flux	6190 lm
Luminaire luminous flux	4784 lm
Luminaire luminous efficiency	138,7 lm/W

77 897 K3

Module designation	2x LED-0411/830
Colour temperature	3000 K
Colour rendering index	CRI > 80
Module luminous flux	6010 lm
Luminaire luminous flux	4442 lm
Luminaire luminous efficiency	128,8 lm/W

Service life of the LED

Ambient temperature $t_a = 25\text{ °C}$
 – at > 500,000 h: L70B50

max. ambient temperature $t_a = 45\text{ °C}$
 – at 275,000 h: L70B50

Inrush current

Inrush current: 5 A / 100 μ s
 Maximum number of luminaires of this type per miniature circuit breaker:
 B 10A: 27 luminaires
 B 16A: 44 luminaires
 C 10A: 27 luminaires
 C 16A: 44 luminaires

Light technique

Luminaire data for the light planning program DIALux for outdoor lighting, street lighting and indoor lighting as well as luminaire data in EULUMDAT- and IES-format you will find on the BEGA web page www.bega.com.

Article No. 77 897

LED colour temperature optionally 4000 K or 3000 K
 4000 K – Article number + **K4**
 3000 K – Article number + **K3**
 Colour graphite or silver
 graphite – article number
 silver – article number + **A**

Light distribution

