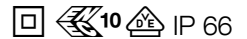


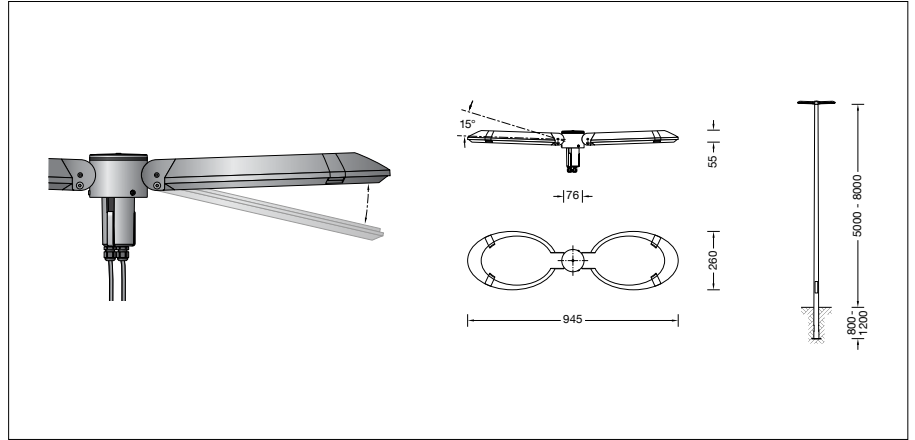
**BEGA****77 859**

Pole top luminaire



Project · Reference number

Date



## Product data sheet

**Application**

LED pole top luminaire with asymmetrical flat beam light distribution.  
For mounting heights 5000 - 8000 mm.

**Product description**

Luminaire made of aluminium alloy, aluminium and stainless steel  
Safety glass, antireflection-coated  
Silicone gasket  
Reflector made of pure anodised aluminium  
Toolless closure  
Adjustable joint for beam direction 0° or 15°  
For pole top  $\varnothing$  76 mm  
Inner diameter of the pole min.62 / max.70 mm  
Slip fitter insert depth 100 mm  
2 x Connecting cable X05BQ-F 4 x 1<sup>□</sup>  
Cable length 8 m  
LED power supply unit  
220-240 V  $\sim$  0/50-60 Hz  
DC 176-264 V  
During DC operation the LED power is reduced to 50 %  
DALI controllable  
A basic isolation exists between power cable and control line  
Safety class II   
Protection class IP 66  
Dust-tight and protection against strong water jets  
Impact strength IK08  
Protection against mechanical impacts < 5 joule  
 - Safety mark  
**CE** - Conformity mark  
Horizontal wind catching area: 0.05 m<sup>2</sup>  
Weight: 9,8 kg

**Lamp**

Module connected wattage 2x 31 W  
Luminaire connected wattage 69 W  
Rated temperature  $t_a = 25$  °C  
Ambient temperature  $t_{a,max} = 45$  °C

**77 859 K4**

Module designation 2x LED-0411/840  
Colour temperature 4000 K  
Colour rendering index CRI > 80  
Module luminous flux 12380 lm  
Luminaire luminous flux 9568 lm  
Luminaire luminous efficiency 138,7 lm/W

**77 859 K3**

Module designation 2x LED-0411/830  
Colour temperature 3000 K  
Colour rendering index CRI > 80  
Module luminous flux 12020 lm  
Luminaire luminous flux 9289 lm  
Luminaire luminous efficiency 134,6 lm/W

**Service life of the LED**

Ambient temperature  $t_a = 25$  °C  
- at > 500,000h: L70B50

max. ambient temperature  $t_a = 45$  °C  
- at 275,000h: L70B50

**Light technique**

Luminaire data for the light planning program DIALux for outdoor lighting, street lighting and indoor lighting as well as luminaire data in EULUMDAT- and IES-format you will find on the BEGA web page [www.bega.com](http://www.bega.com).

**Inrush current**

Inrush current: 5 A / 100  $\mu$ s  
Maximum number of luminaires of this type per miniature circuit breaker:  
B 10A: 27 luminaires  
B 16A: 44 luminaires  
C 10A: 27 luminaires  
C 16A: 44 luminaires

**Article No. 77 859**

LED colour temperature optionally 4000 K or 3000 K  
4000 K - Article number + **K4**  
3000 K - Article number + **K3**

Colour graphite or silver  
graphite - article number  
silver - article number + **A**

**Accessories**

For this luminaire we recommend the following BEGA luminaire poles:

Tapered steel poles without visible welding seam - hot-dip galvanised and lacquered with access door and C-clamp

**70 886** Pole with anch.section H 5000 mm  
**70 834** Pole with anch.section H 6000 mm  
**70 835** Pole with anch.section H 7000 mm  
**70 836** Pole with anch.section H 8000 mm

Tapered steel luminaire poles longitudinally seam-welded · hot-dip galvanised and lacquered with access door and C rail  
**71 002** Pole with anch.section H 6000 mm  
**71 004** Pole with anch.section H 7000 mm  
**71 006** Pole with anch.section H 8000 mm

Cylindrically stepped aluminium poles, lacquered with door und C rail  
**70 903** Pole with anch.section H 5000 mm  
**70 905** Pole with anch.section H 6000 mm

Cylindrically stepped aluminium poles, lacquered with access door and C-clamp  
**70 902** Pole with baseplate H 5000 mm  
**70 904** Pole with baseplate H 6000 mm

For suitable connection boxes please see the instructions for use of the luminaire poles.

**Light distribution**