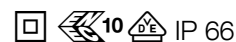


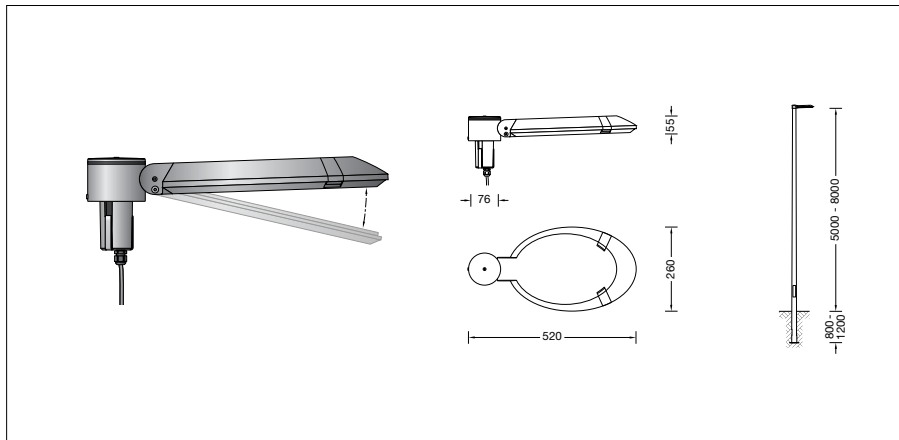
BEGA**77 858**

Pole top luminaire



Project · Reference number

Date


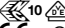


Product data sheet

Application

LED pole top luminaire with asymmetrical flat beam light distribution.
For mounting heights 5000 - 8000 mm.

Product description

Luminaire made of aluminium alloy, aluminium and stainless steel
Safety glass, antireflection-coated
Silicone gasket
Reflector made of pure anodised aluminium
Toolless closure
Adjustable joint for beam direction 0° or 15°
For pole top ø 76 mm
Inner diameter of the pole min.62 / max.70 mm
Slip fitter insert depth 100 mm
Connecting cable X05BQ-F 4 x 1⁰
Cable length 8 m
LED power supply unit
220-240 V ~ 0/50-60 Hz
DC 176-264 V
During DC operation the LED power is reduced to 50 %
DALI controllable
A basic isolation exists between power cable and control line
Safety class II 
Protection class IP 66
Dust-tight and protection against strong water jets
Impact strength IK08
Protection against mechanical impacts < 5 joule
 - Safety mark
CE - Conformity mark
Horizontal wind catching area: 0.03 m²
Weight: 4.8 kg

Lamp

Module connected wattage 31 W
Luminaire connected wattage 34.5 W
Rated temperature $t_a = 25 \text{ }^\circ\text{C}$
Ambient temperature $t_{a \text{ max}} = 45 \text{ }^\circ\text{C}$

On request we can offer you modifications for environments with higher temperatures as a customized product.

77 858 K4

Module designation 2x LED-0411/840
Colour temperature 4000 K
Colour rendering index CRI > 80
Module luminous flux 6190 lm
Luminaire luminous flux 4784 lm
Luminaire luminous efficiency 138,7 lm/W

77 858 K3

Module designation 2x LED-0411/830
Colour temperature 3000 K
Colour rendering index CRI > 80
Module luminous flux 6010 lm
Luminaire luminous flux 4645 lm
Luminaire luminous efficiency 134,6 lm/W

Service life of the LED

Ambient temperature $t_a = 25 \text{ }^\circ\text{C}$
- at > 500,000h: L70B50

max. ambient temperature $t_a = 45 \text{ }^\circ\text{C}$
- at 275,000h: L70B50

Ambient temperature $t_{a \text{ max}} = 50 \text{ }^\circ\text{C}$ (68 %)
LED psu: 50,000h
LED module: 50,000h

BEGA Thermal Control® protects temperature-sensitive luminaire components by temporarily limiting the nominal power at high temperatures.

Light technique

Luminaire data for the light planning program DIALux for outdoor lighting, street lighting and indoor lighting as well as luminaire data in EULUMDAT- and IES-format you will find on the BEGA web page www.bega.com.

Inrush current

Inrush current: 5 A / 100 μs
Maximum number of luminaires of this type per miniature circuit breaker:
B 10A: 27 luminaires
B 16A: 44 luminaires
C 10A: 27 luminaires
C 16A: 44 luminaires

Article No. 77 858

LED colour temperature optionally 4000K or 3000K
4000 K – Article number + **K4**
3000 K – Article number + **K3**

Colour graphite or silver
graphite – article number
silver – article number + **A**

Accessories

For this luminaire we recommend the following BEGA luminaire poles:

Tapered steel poles without visible welding seam - hot-dip galvanised and lacquered with access door and C-clamp

70 886 Pole with anch.section H 5000 mm
70 834 Pole with anch.section H 6000 mm
70 835 Pole with anch.section H 7000 mm
70 836 Pole with anch.section H 8000 mm

Tapered steel luminaire poles longitudinally seam-welded · hot-dip galvanised and lacquered with access door and C rail
71 002 Pole with anch.section H 6000 mm
71 004 Pole with anch.section H 7000 mm
71 006 Pole with anch.section H 8000 mm

Cylindrically stepped aluminium poles, lacquered with door und C rail
70 903 Pole with anch.section H 5000 mm
70 905 Pole with anch.section H 6000 mm

Cylindrically stepped aluminium poles, lacquered with access door and C-clamp
70 902 Pole with baseplate H 5000 mm
70 904 Pole with baseplate H 6000 mm

For suitable connection boxes please see the instructions for use of the luminaire poles.

Light distribution