

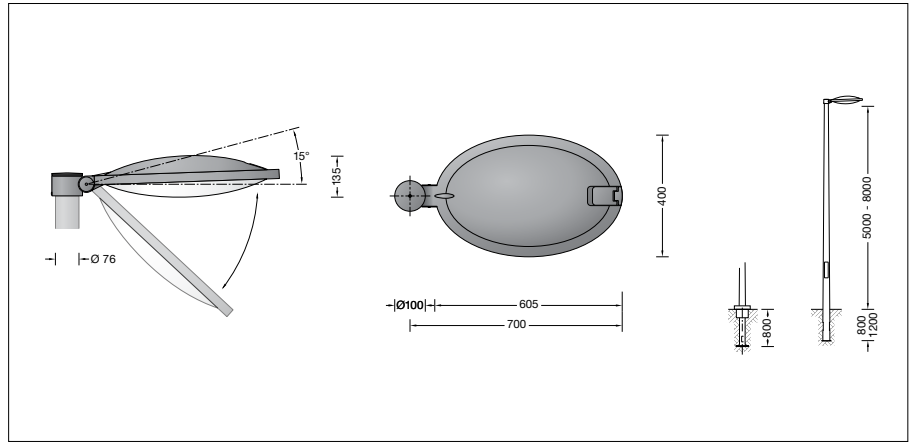
**BEGA****77 836**

Pole top luminaire



Project · Reference number

Date



## Product data sheet

**Application**

LED pole top luminaire with asymmetrical flat beam light distribution.  
For mounting heights 5000 - 8000 mm.

**Product description**

Luminaire made of aluminium alloy, aluminium and stainless steel  
Synthetic cover with optical structure  
Silicone gasket  
Reflector made of pure anodised aluminium  
Toolless closure  
Adjustable joint for beam direction 0° or 15°  
For pole top  $\varnothing$  76 mm  
Inner diameter of the pole min.62 / max.70 mm  
Slip fitter insert depth 90 mm  
Connecting cable X05BQ-F 5 G 1<sup>□</sup>  
Cable length 8 m  
LED power supply unit  
220-240 V  $\sim$  0/50-60 Hz  
DC 176-264 V  
During DC operation the LED power is reduced to 50 %  
DALI controllable  
A basic isolation exists between power cable and control line  
Safety class I  
Protection class IP 66  
Dust-tight and protection against strong water jets  
Impact strength IK10  
Protection against mechanical impacts < 20 joule  
 – Safety mark  
**CE** – Conformity mark  
Horizontal wind catching area: 0.07 m<sup>2</sup>  
Weight: 8.8 kg

**Lamp**

Module connected wattage 30.8 W  
Luminaire connected wattage 34.3 W  
Rated temperature  $t_a = 25$  °C  
Ambient temperature  $t_{a,max} = 55$  °C

**77 836 K4**

Module designation 2x LED-0260/840  
Colour temperature 4000 K  
Colour rendering index CRI > 80  
Module luminous flux 6190 lm  
Luminaire luminous flux 4741 lm  
Luminaire luminous efficiency 138,2 lm/W

**77 836 K3**

Module designation 2x LED-0260/830  
Colour temperature 3000 K  
Colour rendering index CRI > 80  
Module luminous flux 6020 lm  
Luminaire luminous flux 4611 lm  
Luminaire luminous efficiency 134,4 lm/W

**Service life of the LED**

Ambient temperature  $t_a = 25$  °C  
– at > 500,000h: L 70 B 50

max. ambient temperature  $t_a = 55$  °C  
– at 153,000h: L 70 B 50

**Light technique**

Luminaire data for the light planning program DIALux for outdoor lighting, street lighting and indoor lighting as well as luminaire data in EULUMDAT- and IES-format you will find on the BEGA web page [www.bega.com](http://www.bega.com).

**Inrush current**

Inrush current: 5 A / 100  $\mu$ s  
Maximum number of luminaires of this type per miniature circuit breaker:  
B 10A: 27 luminaires  
B 16A: 44 luminaires  
C 10A: 27 luminaires  
C 16A: 44 luminaires

**Article No. 77 836**

LED colour temperature optionally 4000 K or 3000 K  
4000 K – Article number + **K4**  
3000 K – Article number + **K3**

Colour graphite or silver  
graphite – article number  
silver – article number + **A**

**Accessories**

For this luminaire we recommend the following BEGA luminaire poles:

Tapered aluminium poles · lacquered with access door and C-clamp  
**70915** Pole with anch.section H 5000 mm  
**70916** Pole with anch.section H 6000 mm  
**70917** Pole with anch.section H 7000 mm  
**70726** Pole with anch.section H 8000 mm

Cylindrically stepped aluminium poles, lacquered with door und C rail  
**70903** Pole with anch.section H 5000 mm  
**70905** Pole with anch.section H 6000 mm  
**70902** Pole with baseplate H 5000 mm  
**70904** Pole with baseplate H 6000 mm

Tapered steel poles without visible welding seam - hot-dip galvanised and lacquered with access door and C-clamp  
**70886** Pole with anch.section H 5000 mm  
**70834** Pole with anch.section H 6000 mm  
**70835** Pole with anch.section H 7000 mm  
**70836** Pole with anch.section H 8000 mm

Tapered steel luminaire poles longitudinally seam-welded · hot-dip galvanised and lacquered with access door and C rail  
**71002** Pole with anch.section H 6000 mm  
**71004** Pole with anch.section H 7000 mm  
**71006** Pole with anch.section H 8000 mm

For suitable connection boxes please see the instructions for use of the luminaire poles.

**Light distribution**