

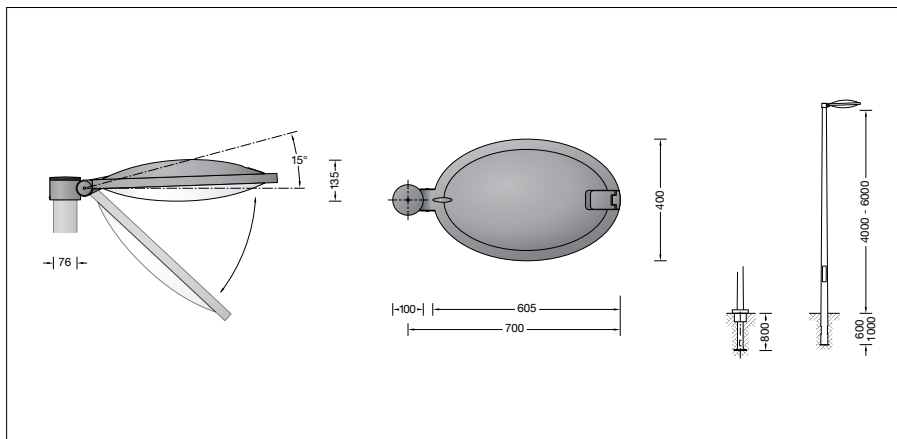
BEGA**77 834**

Pole top luminaire



Project · Reference number

Date



Product data sheet

Product description

Luminaire made of aluminium alloy, aluminium and stainless steel
 BEGA Unidure® coating technology
 Synthetic cover with optical structure
 Silicone gasket
 Reflector made of pure anodised aluminium
 Toolless closure
 Adjustable joint for beam direction 0° or 15°
 For pole top ø 76 mm
 Inner diameter of the pole min.62 / max.70 mm
 Slip fitter insert depth 90 mm
 Connecting cable X05BQ-F 5 G 1²
 Cable length 6 m
 LED power supply unit
 220-240 V ~ 0/50-60 Hz
 DC 176-264 V
 DALI controllable
 A basic isolation exists between power cable and control line
 BEGA Thermal Control®
 Temporary thermal regulation to protect temperature-sensitive components without switching off the luminaire
 Safety class I
 Protection class IP 66
 Dust-tight and protection against strong water jets
 Impact strength IK10
 Protection against mechanical impacts < 20 joule
 – Safety mark
 – Conformity mark
 Horizontal wind catching area: 0.07 m²
 Weight: 7.5 kg

Application

LED pole top luminaire with asymmetrical flat beam light distribution.
 For mounting heights 4000 - 6000 mm.

Lamp

Module connected wattage 11.4 W
 Luminaire connected wattage 13 W
 Rated temperature $t_a = 25\text{ °C}$
 Ambient temperature $t_{a,max} = 60\text{ °C}$

77 834 K4

Module designation 2x LED-0148/840
 Colour temperature 4000 K
 Colour rendering index CRI > 80
 Module luminous flux 2360 lm
 Luminaire luminous flux 1750 lm
 Luminaire luminous efficiency 134,6 lm/W

77 834 K3

Module designation 2x LED-0148/830
 Colour temperature 3000 K
 Colour rendering index CRI > 80
 Module luminous flux 2290 lm
 Luminaire luminous flux 1699 lm
 Luminaire luminous efficiency 130,7 lm/W

Service life · Ambient temperature

Rated temperature $t_a = 25\text{ °C}$
 LED psu: > 50,000h
 LED module: > 200,000h (L 80 B 50)
 100,000h (L 90 B 50)

Ambient temperature $t_{a,max} = 60\text{ °C}$ (100 %)
 LED psu: 50,000h
 LED module: 90,000h (L 80 B 50)
 100,000h (L 70 B 50)

Inrush current

Inrush current: 5 A / 100 μ s
 Maximum number of luminaires of this type per miniature circuit breaker:
 B 10A: 42 luminaires
 B 16A: 68 luminaires
 C 10A: 42 luminaires
 C 16A: 68 luminaires

Light technique

Luminaire data for the light planning program DIALux for outdoor lighting, street lighting and indoor lighting as well as luminaire data in EULUMDAT- and IES-format you will find on the BEGA web page www.bega.com.

Article No. 77 834

LED colour temperature optionally 4000 K or 3000 K
 4000 K – Article number + **K4**
 3000 K – Article number + **K3**

Colour graphite or silver
 graphite – article number
 silver – article number + **A**

Accessories

For this luminaire we recommend the following BEGA luminaire poles:

Tapered aluminium poles, lacquered with access door and C-clamp
70914 Pole with anch.section H 4000 mm
70725 Pole with anch.section H 4500 mm
70915 Pole with anch.section H 5000 mm
70791 Pole with baseplate H 4000 mm
70792 Pole with baseplate H 4500 mm
70794 Pole with baseplate H 5000 mm

Cylindrically stepped aluminium poles, lacquered with door und C rail
70901 Pole with anch.section H 4000 mm
70903 Pole with anch.section H 5000 mm
70905 Pole with anch.section H 6000 mm
70900 Pole with baseplate H 4000 mm
70902 Pole with baseplate H 5000 mm

For suitable connection boxes please see the instructions for use of the luminaire poles.

Light distribution