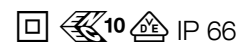


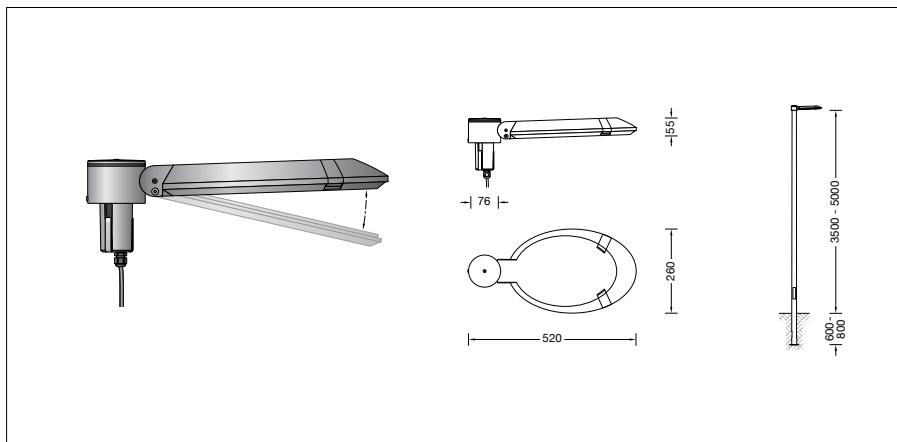
BEGA**77 825**

Pole top luminaire



Project · Reference number

Date



Product data sheet

Application

LED pole top luminaire with asymmetrical flat beam light distribution.
The asymmetrical and flat beam light distribution is suitable especially for the illumination of streets according to DIN EN 13201.
For mounting heights 3500 - 5000 mm.

Product description

Luminaire made of aluminium alloy, aluminium and stainless steel
Safety glass, antireflection-coated
Silicone gasket
Reflector made of pure anodised aluminium
Toolless closure
Adjustable joint for beam direction 0° or 15°
For pole top \varnothing 76 mm
Inner diameter of the pole min. 62 / max. 70 mm
Slip fitter insert depth 100 mm
Connecting cable X05BQ-F 4 x 1[□]
Cable length 6 m
LED power supply unit
220-240 V \sphericalangle 0/50-60 Hz
DC 176-264 V
During DC operation the LED power is reduced to 50 %
DALI controllable
A basic isolation exists between power cable and control line
Safety class II
Protection class IP 66
Dust-tight and protection against strong water jets
Impact strength IK08
Protection against mechanical impacts < 5 joule
 – Safety mark
CE – Conformity mark
Horizontal wind catching area: 0.03 m²
Weight: 4.5 kg

Lamp

Module connected wattage 11.6 W
Luminaire connected wattage 13 W
Rated temperature $t_a = 25$ °C
Ambient temperature $t_{a,max} = 65$ °C

77 825 K4

Module designation 2x LED-0415/840
Colour temperature 4000 K
Colour rendering index CRI > 80
Module luminous flux 2320 lm
Luminaire luminous flux 1953 lm
Luminaire luminous efficiency 150,2 lm/W

77 825 K3

Module designation 2x LED-0415/830
Colour temperature 3000 K
Colour rendering index CRI > 80
Module luminous flux 2250 lm
Luminaire luminous flux 1895 lm
Luminaire luminous efficiency 145,8 lm/W

Service life of the LED

Ambient temperature $t_a = 25$ °C
– at > 500,000h: L70B50

max. ambient temperature $t_a = 65$ °C
– at 151,000h: L70B50

Light technique

Luminaire data for the light planning program DIALux for outdoor lighting, street lighting and indoor lighting as well as luminaire data in EULUMDAT- and IES-format you will find on the BEGA web page www.bega.com.

Inrush current

Inrush current: 5 A / 100 μ s
Maximum number of luminaires of this type per miniature circuit breaker:
B 10A: 27 luminaires
B 16A: 44 luminaires
C 10A: 27 luminaires
C 16A: 44 luminaires

Article No. 77 825

LED colour temperature optionally 4000 K or 3000 K
4000 K – Article number + **K4**
3000 K – Article number + **K3**

Colour graphite or silver
graphite – article number
silver – article number + **A**

Accessories

For this luminaire we recommend the following BEGA luminaire poles:

Tapered aluminium poles, lacquered with access door and C-clamp
70913 Pole with anch.section H 3500 mm
70914 Pole with anch.section H 4000 mm
70725 Pole with anch.section H 4500 mm
70915 Pole with anch.section H 5000 mm
70789 Pole with baseplate H 3500 mm
70791 Pole with baseplate H 4000 mm
70792 Pole with baseplate H 4500 mm
70794 Pole with baseplate H 5000 mm

Cylindrically stepped aluminium poles, lacquered with door und C rail
70901 Pole with anch.section H 4000 mm
70903 Pole with anch.section H 5000 mm
70900 Pole with baseplate H 4000 mm
70902 Pole with baseplate H 5000 mm

For suitable connection boxes please see the instructions for use of the luminaire poles.

Light distribution