

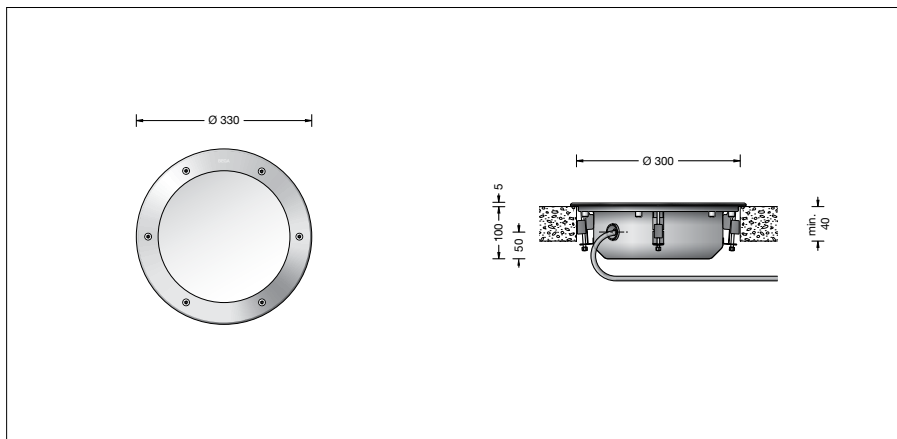
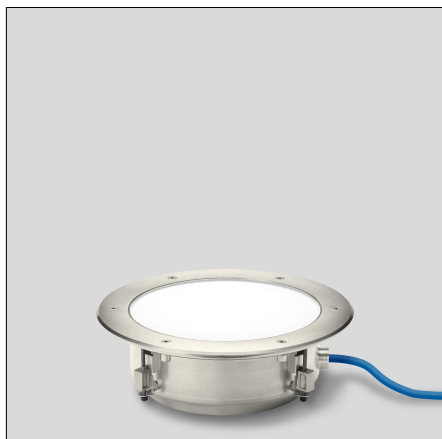
**BEGA****77 815**

In-ground luminaire



Project · Reference number

Date



## Product data sheet

### Application

Recessed LED location luminaire for installation in cut-outs in floors.

Drive-over luminaire for vehicles with pneumatic tyres.

In the centre of the glass surface the luminaire attains an operating temperature of only 25 °C (measured according to EN 60598 - ambient temperature of  $t_a = 15$  °C).

### Please note:

Luminaire must not be used for installation in road lanes, where the fixture is exposed to a horizontal strain due to braking, acceleration and change of direction.

### Product description

Luminaire made of stainless steel

Steel grade no. 1.4301

Safety glass, white

Silicone gasket

Required recessed opening  $\varnothing$  300 mm

Minimum material thickness 40 mm

Fixing is achieved by using four wedge-shaped clamping elements

1,8 m water-resistant connecting cable

H07RN8-F 3G 1,5<sup>□</sup> with implemented water stopper and 1.2 m PVC cable conduit

LED power supply unit

220-240 V  $\sim$  0/50-60 Hz

DC 170-280 V

Safety class I

Protection class IP 68 10 m

Dust-tight and water pressure tight

Maximum submersion depth 10 m

Not suitable for permanent operation under water

Pressure load 2,000 kg (20 kN)

Impact strength IK10

Protection against mechanical

impacts < 20 joule

Maximum surface temperature 25 °C

(measured according to EN 60598 of  $t_a = 15$  °C)

– Safety mark

– Conformity mark

Weight: 5.0 kg

### Lamp

Module connected wattage	7.3 W
Luminaire connected wattage	9.2 W
Rated temperature	$t_a = 25$ °C
Ambient temperature	$t_{a,max} = 45$ °C
When installed in heat-insulating material	$t_{a,max} = 40$ °C

On request we can offer you modifications for environments with higher temperatures as a customized product.

### 77 815 K4

Module designation	LED-0381/940
Colour temperature	4000 K
Colour rendering index	CRI > 90
Module luminous flux	1335 lm
Luminaire luminous flux	654 lm
Luminaire luminous efficiency	71,1 lm/W

### 77 815 K3

Module designation	LED-0381/930
Colour temperature	3000 K
Colour rendering index	CRI > 90
Module luminous flux	1260 lm
Luminaire luminous flux	600 lm
Luminaire luminous efficiency	65,2 lm/W

### Service life of the LED

Ambient temperature  $t_a = 25$  °C  
– at > 500,000h: L70B50

max. ambient temperature  $t_a = 45$  °C  
– at 360,000h: L70B50

### Inrush current

Inrush current: 27 A / 250  $\mu$ s

Maximum number of luminaires of this type per miniature circuit breaker:

B 10A: 17 luminaires

B 16A: 27 luminaires

C 10A: 28 luminaires

C 16A: 45 luminaires

### Light technique

Luminaire data for the light planning program DIALux for outdoor lighting, street lighting and indoor lighting as well as luminaire data in EULUMDAT- and IES-format you will find on the BEGA web page [www.bega.com](http://www.bega.com).

### Article No. 77 815

LED colour temperature optionally 4000 K or 3000 K

4000 K – Article number + **K4**

3000 K – Article number + **K3**

We supply this luminaire with skid-blocking glass which is denoted by **R** after the article number.

### Accessories

**140258R** Skid-blocking glass

BEGA skid-blocking glass with the highest rating R 13 according to DIN 51130 can be used without restriction for all public areas. Abrasion resistance according to EN ISO 10545-7 Class 3

Distribution box for installation in soil

**70 730** Distribution box with 7 cable entries  
Connection terminals 5 x 4<sup>□</sup>

**71 053** Distribution box with 10 cable entries  
Connection terminals 6 x 16<sup>□</sup>

A separate instructions for use can be provided upon request.