

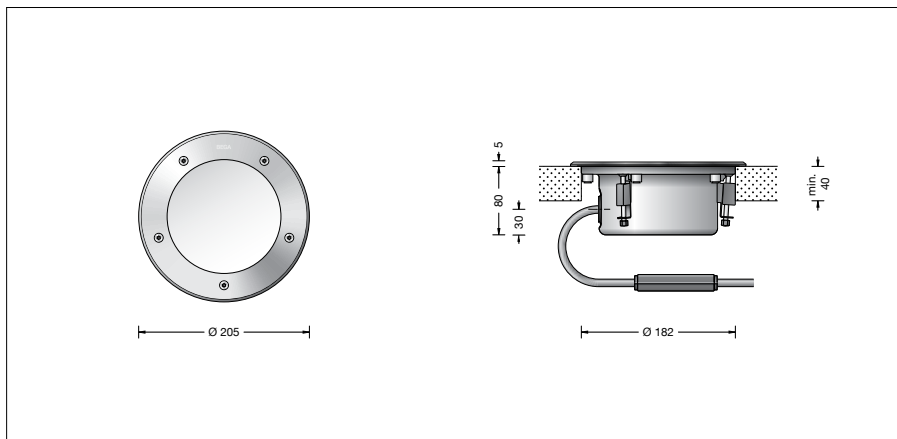
**BEGA****77 813**

In-ground luminaire



Project · Reference number

Date



## Product data sheet

### Application

Recessed LED location luminaire for installation in cut-outs in floors.  
Drive-over luminaire for vehicles with pneumatic tyres.

### Please note:

Luminaire must not be used for installation in road lanes, where the fixture is exposed to a horizontal strain due to braking, acceleration and change of direction.

For walk-through public areas, we recommend skid-blocking glass – see accessories.

### Product description

Luminaire made of stainless steel  
Steel grade no. 1.4301  
Safety glass, white  
Required recessed opening  $\varnothing$  182 mm  
Minimum material thickness 40 mm  
Fixing is achieved by using three wedge-shaped clamping elements  
1,8 m water-resistant connecting cable H07RN8-F 3 G 1,5<sup>□</sup> with implemented water stopper and 1.2 m PVC cable conduit  
LED power supply unit  
220-240 V  $\sim$  0/50-60 Hz  
DC 176-264 V  
Safety class I  
Protection class IP 68 10 m  
Dust-tight and water pressure tight  
Maximum submersion depth 10 m  
Not suitable for permanent operation under water  
Pressure load 2,000 kg (20 kN)  
Impact strength IK10  
Protection against mechanical impacts < 20 joule  
Maximum surface temperature 20 °C (measured according to EN 60598 of  $t_a$  15 °C)

– Safety mark

– Conformity mark

Weight: 2.4 kg

### Lamp

Module connected wattage 3 W  
Luminaire connected wattage 4.1 W  
Rated temperature  $t_a = 25$  °C  
Ambient temperature  $t_{a \max} = 50$  °C  
When installed in heat-insulating material  $t_{a \max} = 35$  °C

### 77 813 K4

Module designation LED-0291/840  
Colour temperature 4000 K  
Colour rendering index CRI > 80  
Module luminous flux 565 lm  
Luminaire luminous flux 116 lm  
Luminaire luminous efficiency 28,3 lm/W

### 77 813 K3

Module designation LED-0291/830  
Colour temperature 3000 K  
Colour rendering index CRI > 80  
Module luminous flux 550 lm  
Luminaire luminous flux 112 lm  
Luminaire luminous efficiency 27,3 lm/W

### Service life of the LED

Ambient temperature  $t_a = 25$  °C  
– at 460,000h: L70B50

max. ambient temperature  $t_a = 50$  °C  
– at 245,000h: L70B50

### Inrush current

Inrush current: 7 A / 112  $\mu$ s  
Maximum number of luminaires of this type per miniature circuit breaker:  
B 10A: 38 luminaires  
B 16A: 61 luminaires  
C 10A: 64 luminaires  
C 16A: 102 luminaires

### Light technique

Luminaire data for the light planning program DIALux for outdoor lighting, street lighting and indoor lighting as well as luminaire data in EULUMDAT- and IES-format you will find on the BEGA web page [www.bega.com](http://www.bega.com).

### Article No. 77 813

LED colour temperature optionally 4000 K or 3000 K  
4000 K – Article number + **K4**  
3000 K – Article number + **K3**

We supply this luminaire with skid-blocking glass which is denoted by **R** after the article number.

### Accessories

**14000653R** Skid-blocking glass  
BEGA skid-blocking glass with the highest rating R 13 according to DIN 51130 can be used without restriction for all public areas.  
Abrasion resistance according to EN ISO 10545-7 Class 3

Distribution box for installation in soil

**70 730** Distribution box with 7 cable entries  
Connection terminals 5 x 4<sup>□</sup>

**71 053** Distribution box with 10 cable entries  
Connection terminals 6 x 16<sup>□</sup>

A separate instructions for use can be provided upon request.