

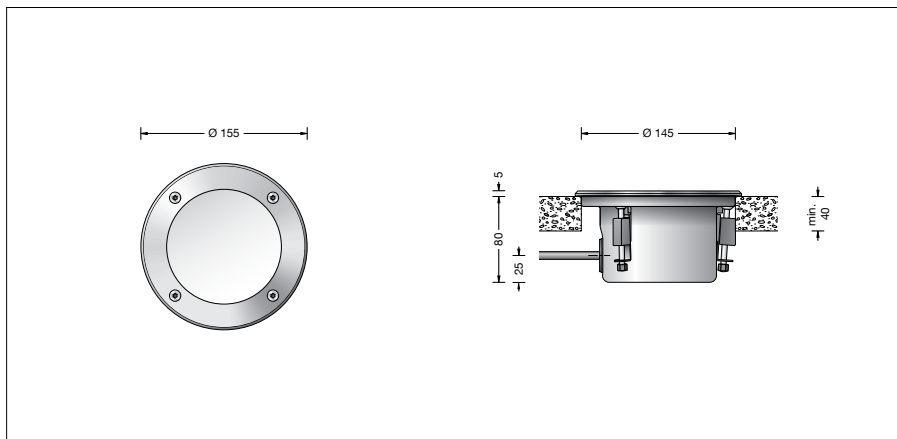
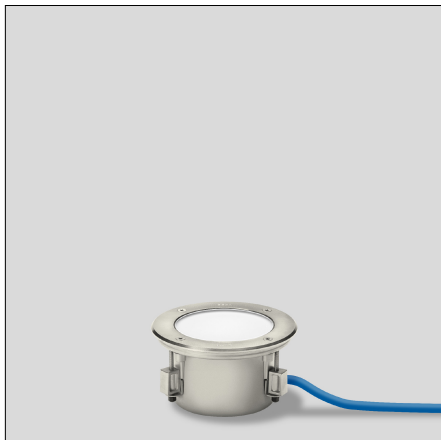
BEGA**77 812**

In-ground luminaire



Project · Reference number

Date



Product data sheet

Application

Recessed LED location luminaire for installation in cut-outs in floors.
Drive-over luminaire for vehicles with pneumatic tyres.

Please note:

Luminaire must not be used for installation in road lanes, where the fixture is exposed to a horizontal strain due to braking, acceleration and change of direction.
For walk-through public areas, we recommend skid-blocking glass – see accessories.

Product description

Luminaire made of stainless steel
Steel grade no. 1.4301
Safety glass, white
Required recessed opening \varnothing 145 mm
Minimum material thickness 40 mm
Fixing is achieved by using three wedge-shaped clamping elements
1,8 m water-resistant connecting cable H07RN8-F 3G1,5[□] with implemented water stopper and 1.2 m PVC cable conduit
LED power supply unit
220-240 V \sim 0/50-60 Hz
DC 176-264 V
Safety class I
Protection class IP 68 10 m
Dust-tight and water pressure tight
Maximum submersion depth 10 m
Not suitable for permanent operation under water
Pressure load 2,000 kg (20 kN)
Impact strength IK10
Protection against mechanical impacts < 20 joule
Maximum surface temperature 20 °C (measured according to EN 60598 of t_a 15 °C)
 – Safety mark
 – Conformity mark
Weight: 1.8 kg

Lamp

Module connected wattage	1.3 W
Luminaire connected wattage	2.7 W
Rated temperature	$t_a = 25$ °C
Ambient temperature	$t_{a \max} = 45$ °C
When installed in heat-insulating material	$t_{a \max} = 40$ °C

On request we can offer you modifications for environments with higher temperatures as a customized product.

77 812 K4

Module designation	LED-0625/840
Colour temperature	4000 K
Colour rendering index	CRI > 80
Module luminous flux	290 lm
Luminaire luminous flux	98 lm
Luminaire luminous efficiency	36,3 lm/W

77 812 K3

Module designation	LED-0625/830
Colour temperature	3000 K
Colour rendering index	CRI > 80
Module luminous flux	280 lm
Luminaire luminous flux	94 lm
Luminaire luminous efficiency	34,8 lm/W

Service life of the LED

Ambient temperature $t_a = 25$ °C
– at 500,000 h: L70B50

max. ambient temperature $t_a = 45$ °C
– at 316,000 h: L70B50

Light technique

Luminaire data for the light planning program DIALux for outdoor lighting, street lighting and indoor lighting as well as luminaire data in EULUMDAT- and IES-format you will find on the BEGA web page www.bega.com.

Inrush current

Inrush current: 20 A / 170 μ s

Maximum number of luminaires of this type per miniature circuit breaker:

B 10A:	31 luminaires
B 16A:	50 luminaires
C 10A:	52 luminaires
C 16A:	85 luminaires

Article No. 77 812

LED colour temperature optionally 4000 K or 3000 K

4000 K – Article number + **K4**

3000 K – Article number + **K3**

We supply this luminaire with skid-blocking glass which is denoted by **R** after the article number.

Accessories

14000740R Skid-blocking glass
BEGA skid-blocking glass with the highest rating R 13 according to DIN 51130 can be used without restriction for all public areas.
Abrasion resistance according to EN ISO 10545-7 Class 3

Distribution box for installation in soil

70 730 Distribution box with 7 cable entries
Connection terminals 5 x 4[□]

71 053 Distribution box with 10 cable entries
Connection terminals 6 x 16[□]

A separate instructions for use can be provided upon request.