

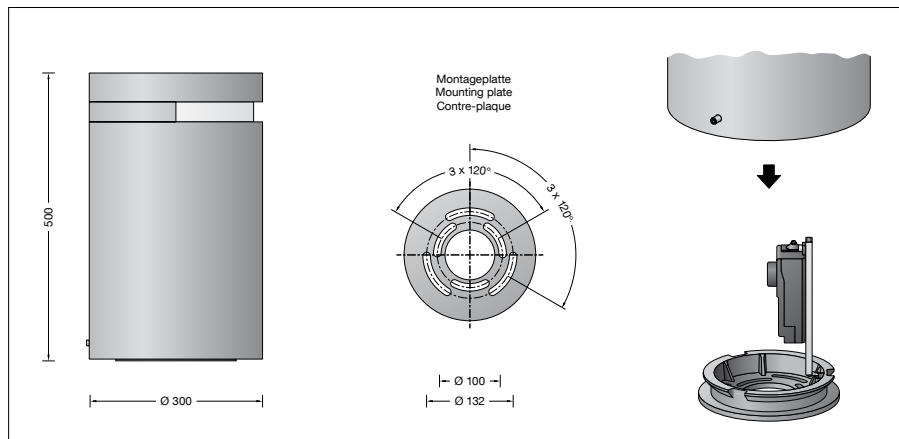
**BEGA****77 787**

Bollard



Project · Reference number

Date

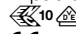



## Product data sheet

**Application**

One-sided LED bollard with 180° light output. Due to the stable construction of this luminaire it is suitable for areas in which a high requirement of a robust construction is necessary.

**Product description**

Luminaire made of aluminium alloy, aluminium and stainless steel  
 Borosilicate glass  
 Silicone gasket  
 Reflector made of pure anodised aluminium  
 Single side light exit 180°  
 Luminaire with mounting plate for bolting onto a foundation or an anchorage unit  
 Mounting plate with two pitch circles:  
 ø 100 mm, 3 elongated holes 9 mm wide  
 ø 132 mm, 3 elongated holes 9 mm wide  
 Luminaire can be aligned on the mounting plate around 360°  
 Mounting bracket with connection box 70 632 for through-wiring – for 2 cables up to 5 × 4<sup>□</sup> with fuse Neozed D 01 · 6 A  
 LED power supply unit  
 220-240 V ~ 0/50-60 Hz  
 DC 176-276 V  
 DALI controllable  
 A basic isolation exists between power cable and control line  
 Safety class I  
 Protection class IP 65  
 Dust-tight and protection against water jets  
 Impact strength IK10  
 Protection against mechanical impacts < 20 joule  
 – Safety mark  
 – Conformity mark  
 Weight: 12.2 kg

**Lamp**

Module connected wattage	5.8 W
Luminaire connected wattage	7.5 W
Rated temperature	$t_a = 25\text{ °C}$
Ambient temperature	$t_{a\text{ max}} = 65\text{ °C}$

**77 787 K3**

Module designation	2x LED-0478/830
Colour temperature	3000 K
Colour rendering index	CRI > 80
Module luminous flux	1100 lm
Luminaire luminous flux	533 lm
Luminaire luminous efficiency	71,1 lm/W

**77 787 K4**

Module designation	2x LED-0478/840
Colour temperature	4000 K
Colour rendering index	CRI > 80
Module luminous flux	1160 lm
Luminaire luminous flux	562 lm
Luminaire luminous efficiency	74,9 lm/W

**Service life · Ambient temperature**

Rated temperature $t_a = 25\text{ °C}$	
LED psu:	> 50,000 h
LED module:	> 200,000 h (L 80 B 50) 100,000 h (L 90 B 50)
Ambient temperature $t_{a\text{ max}} = 65\text{ °C}$ (100 %)	
LED psu:	50,000 h
LED module:	195,000 h (L 80 B 50) 100,000 h (L 80 B 50)

**Inrush current**

Inrush current: 4 A / 30 μs  
 Maximum number of luminaires of this type per miniature circuit breaker:  
 B 10A: 50 luminaires  
 B 16A: 50 luminaires  
 C 10A: 50 luminaires  
 C 16A: 50 luminaires

**Light technique**

Luminaire data for the light planning program DIALux for outdoor lighting, street lighting and indoor lighting as well as luminaire data in EULUMDAT- and IES-format you will find on the BEGA web page [www.bega.com](http://www.bega.com).

**Article No. 77 787**

LED colour temperature optionally 3000 K or 4000 K  
 3000 K – Article number + **K3**  
 4000 K – Article number + **K4**

Colour graphite or silver  
 graphite – article number  
 silver – article number + **A**

**Accessory**

**70 896** Anchorage unit  
 Anchorage unit with mounting flange made of hot-dip galvanised steel. Total length 500 mm. 3 stainless steel fixing screws M 8. Pitch circle ø 132 mm.

See the separate instructions for use.

**Light distribution**