

Project · Reference number

Date

Application

LED bollard with rotationally symmetrical light distribution.

The light is deflected by means of the top reflector onto the surface to be illuminated.

Luminaire for glarefree surface illumination of driveways, squares, pathways and entrances.

Product description

Luminaire made of aluminium alloy, aluminium and stainless steel

Silicate glass clear

Silicone gasket

Reflector made of pure anodised aluminium

Luminaire with mounting plate for bolting onto a foundation or an anchorage unit

Mounting plate with two pitch circles:

ø 70 mm, 3 elongated holes 7 mm wide

ø 100 mm, 3 elongated holes 9 mm wide

Luminaire can be aligned on the mounting plate around 360°

Mounting bracket with connection box and

3-pole terminal 4[□] for connection ofmains supply cable max. 3 × 2.5[□]

LED power supply unit

220-240 V \sim 0/50-60 Hz

DC 170-280 V

DC Start \geq 198 V

Safety class I


Protection class IP 65

Dust-tight and protection against water jets

Impact strength IK04

Protection against mechanical

impacts < 0.5 joule

 - Safety mark**CE** - Conformity mark

Weight: 6.0 kg

Lamp

Module connected wattage 19.2 W

Luminaire connected wattage 21.8 W

Rated temperature $t_a = 25\text{ }^\circ\text{C}$ Ambient temperature $t_{a\text{max}} = 55\text{ }^\circ\text{C}$ **77 586 K3**

Module designation LED-0638/930

Colour temperature 3000 K

Colour rendering index CRI > 90

Module luminous flux 2260 lm

Luminaire luminous flux 537 lm

Luminaire luminous efficiency 24,6 lm/W

77 586 K4

Module designation LED-0638/940

Colour temperature 4000 K

Colour rendering index CRI > 90

Module luminous flux 2340 lm

Luminaire luminous flux 556 lm

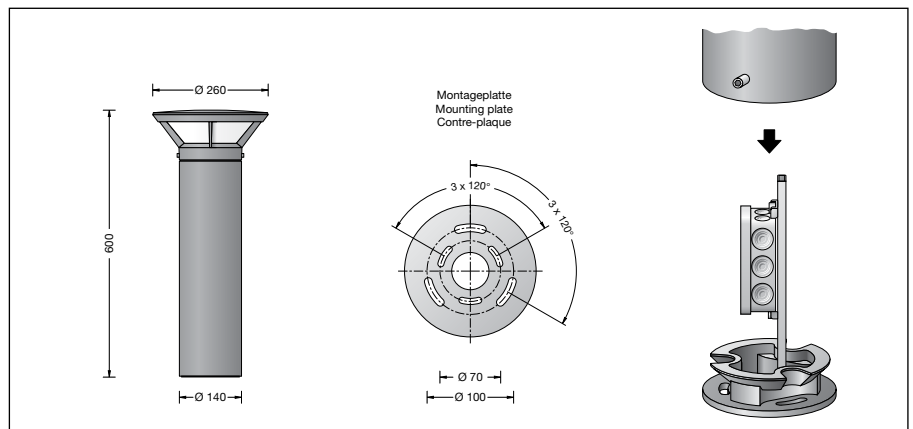
Luminaire luminous efficiency 25,5 lm/W

Service life of the LEDAmbient temperature $t_a = 25\text{ }^\circ\text{C}$

- at > 500,000h: L70B50

max. ambient temperature $t_a = 55\text{ }^\circ\text{C}$

- at 106,000h: L70B50

www.bega.com**Accessory****70 894** Anchorage unit

Anchorage unit with mounting flange made of galvanised steel. Total length 400 mm.

3 stainless steel fixing screws M 6.

Pitch circle ø 70 mm.

See the separate instructions for use.

Article No. 77 586

LED colour temperature optionally 3000K or 4000K

3000 K – Article number + **K3**4000 K – Article number + **K4**Colour graphite or silver
graphite – article number
silver – article number + **A****Light distribution**