

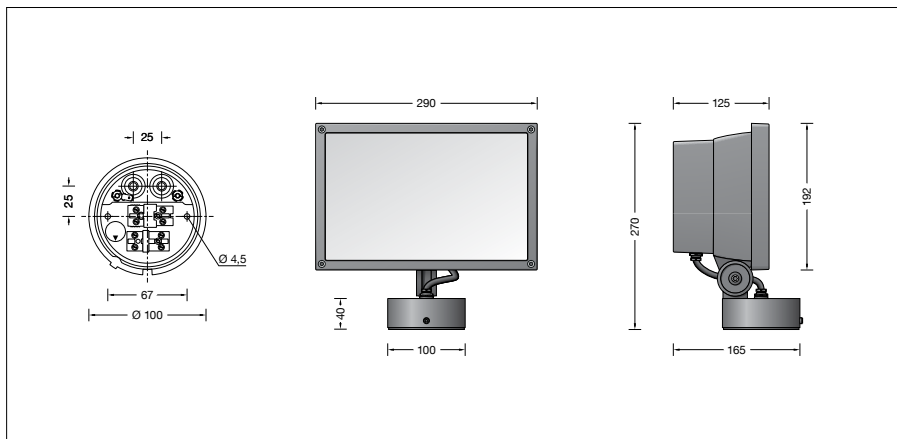
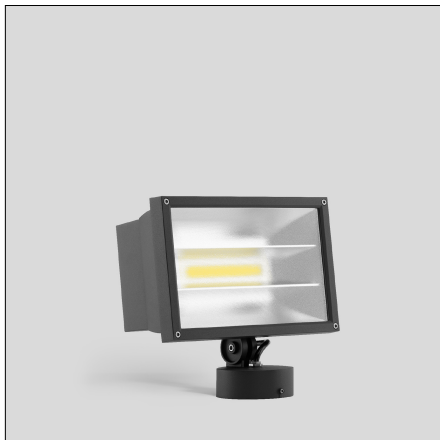
**BEGA****77 584**

Surface floodlight



Project · Reference number

Date



## Product data sheet

**Application**

LED floodlight for flat beam light distribution. Floodlight with mounting box for permanent installation on a wall, under a ceiling or on a pillar.

**Product description**

Luminaire made of aluminium alloy, aluminium and stainless steel  
 Safety glass with optical structure  
 Silicone gasket  
 Reflector made of pure anodised aluminium  
 Rotation range of floodlight 350°  
 Swivel range -35°/+70°  
 Mounting box with 2 fixing holes  
 $\varnothing$  4.5 mm · 67 mm spacing  
 2 cable entries for through-wiring of mains supply cable  $\varnothing$  7-10,5 mm, max. 5 G 1.5<sup>□</sup>  
 Connecting terminal 2.5<sup>□</sup> with plug connection  
 Earth conductor connection  
 LED power supply unit  
 220-240 V  $\sim$  0/50-60 Hz  
 DC 176-280 V  
 During DC operation the LED power is reduced to 15 %  
 DALI controllable  
 A basic isolation exists between power cable and control line  
 Safety class I  
 Protection class IP 65  
 Dust-tight and protection against water jets  
 Impact strength IK07  
 Protection against mechanical impacts < 2 joule  
 – Safety mark  
 – Conformity mark  
 Weight: 4.0 kg

**Lamp**

Module connected wattage 65.5 W  
 Luminaire connected wattage 73 W  
 Rated temperature  $t_a = 25$  °C  
 Ambient temperature  $t_{a,max} = 25$  °C

On request we can offer you modifications for environments with higher temperatures as a customized product.

**77 584 K4**

Module designation LED-0499/940  
 Colour temperature 4000 K  
 Colour rendering index CRI > 90  
 Module luminous flux 8505 lm  
 Luminaire luminous flux 6566 lm  
 Luminaire luminous efficiency 89,9 lm/W

**77 584 K3**

Module designation LED-0499/930  
 Colour temperature 3000 K  
 Colour rendering index CRI > 90  
 Module luminous flux 8210 lm  
 Luminaire luminous flux 6338 lm  
 Luminaire luminous efficiency 86,8 lm/W

**Lifetime of the LED**

Ambient temperature  $t_a = 15$  °C  
 – at 50,000 h: L90 B10  
 – at 330,000 h: L70 B50

max. ambient temperature  $t_a = 25$  °C

– at 50,000 h: L80 B10  
 – at 178,000 h: L70 B50

**Light technique**

Floodlight with flat beam light distribution. Half beam angle 28/92°  
 Luminaire data for the light planning program DIALux for outdoor lighting, street lighting and interior lighting as well as luminaire data in EULUMDAT and IES format are available on the BEGA website [www.bega.com](http://www.bega.com).

**Article No. 77 584**

LED colour temperature optionally 4000 K or 3000 K  
 4000 K – Article number + **K4**  
 3000 K – Article number + **K3**  
 Colour optionally graphite, white or silver  
 Graphite – Article number  
 White – Article number + **W**  
 Silver – Article number + **A**

**Accessories**

**70 525** Shield  
 The attachable shield screens the light upwards or downwards.  
 A separate instructions for use can be provided upon request.

**Light distribution**