

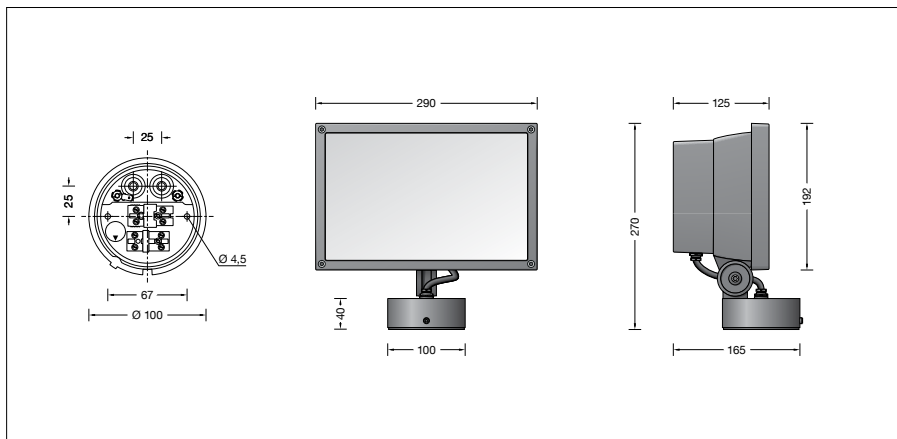
BEGA**77 582**

Surface floodlight

IP 65

Project · Reference number

Date



Product data sheet

Application

LED floodlight for broad spread light distribution. Floodlight with mounting box for permanent installation on a wall, under a ceiling or on a pillar.

Product description

Luminaire made of aluminium alloy, aluminium and stainless steel
 Safety glass with optical structure
 Silicone gasket
 Reflector made of pure anodised aluminium
 Rotation range of floodlight 350°
 Swivel range -35°/+70°
 Mounting box with 2 fixing holes
 ø 4.5 mm · 67 mm spacing
 2 cable entries for through-wiring of mains supply cable ø 7-10,5 mm, max. 5 G 1.5[□]
 Connecting terminal 2.5[□] with plug connection
 Earth conductor connection
 LED power supply unit
 220-240 V ~ 0/50-60 Hz
 DC 176-280 V
 During DC operation the LED power is reduced to 15 %
 DALI controllable
 A basic isolation exists between power cable and control line
 Safety class I
 Protection class IP 65
 Dust-tight and protection against water jets
 Impact strength IK07
 Protection against mechanical impacts < 2 joule
CE – Conformity mark
 Wind catching area: 0.06 m²
 Weight: 4.0 kg

Lamp

Module connected wattage 65.5 W
 Luminaire connected wattage 73 W
 Rated temperature $t_a = 25 \text{ }^\circ\text{C}$
 Ambient temperature $t_{a \text{ max}} = 25 \text{ }^\circ\text{C}$

On request we can offer you modifications for environments with higher temperatures as a customized product.

77 582 K4

Module designation LED-0499/940
 Colour temperature 4000 K
 Colour rendering index CRI > 90
 Module luminous flux 8505 lm
 Luminaire luminous flux 7024 lm
 Luminaire luminous efficiency 96,2 lm/W

77 582 K3

Module designation LED-0499/930
 Colour temperature 3000 K
 Colour rendering index CRI > 90
 Module luminous flux 8210 lm
 Luminaire luminous flux 6780 lm
 Luminaire luminous efficiency 92,9 lm/W

Lifetime of the LED

Ambient temperature $t_a = 15 \text{ }^\circ\text{C}$
 – at 50,000 h: L90 B10
 – at 330,000 h: L70 B50

max. ambient temperature $t_a = 25 \text{ }^\circ\text{C}$

– at 50,000 h: L80 B10
 – at 178,000 h: L70 B50

Light technique

Broad spread light distribution.
 Half beam angle 85/93°
 Luminaire data for the light planning program DIALux for outdoor lighting, street lighting and interior lighting as well as luminaire data in EULUMDAT and IES format are available on the BEGA website www.bega.com.

Article No. 77 582

LED colour temperature optionally 4000 K or 3000 K
 4000 K – Article number + **K4**
 3000 K – Article number + **K3**
 Colour optionally graphite, white or silver
 Graphite – Article number
 White – Article number + **W**
 Silver – Article number + **A**

Accessories

70 525 Shield
 The attachable shield screens the light upwards or downwards.
 A separate instructions for use can be provided upon request.

Light distribution

