

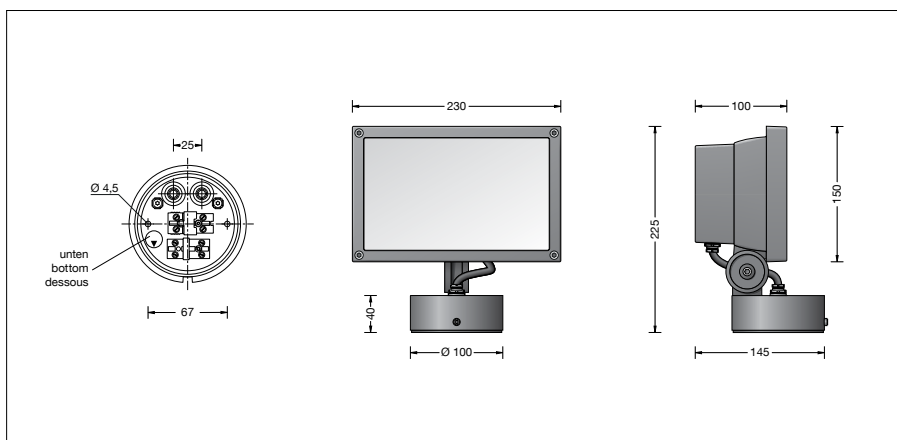
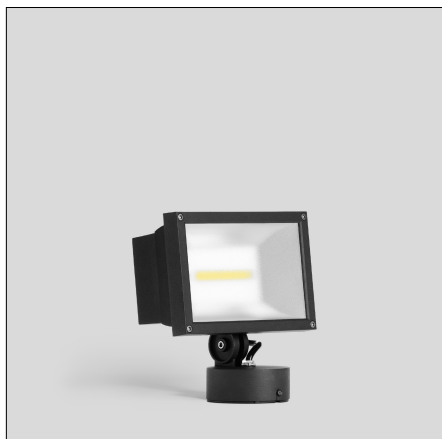
BEGA**77 539**

Surface floodlight



Project · Reference number

Date



Product data sheet

Application

LED floodlight for broad spread light distribution. Floodlight with mounting box for permanent installation on a wall, under a ceiling or on a pillar.

Product description

Luminaire made of aluminium alloy, aluminium and stainless steel
 BEGA Unidure® coating technology
 Safety glass with optical structure
 Reflector made of pure anodised aluminium
 Rotation range of floodlight 350°
 Swivel range -35°/+90°
 Mounting box with 2 fixing holes
 ø 4.5 mm · 67 mm spacing
 2 cable entries for through-wiring of mains supply cable ø 7-10.5 mm, max. 5G 1.5[□]
 Connecting terminal 2.5[□] with plug connection
 Earth conductor connection
 LED power supply unit
 220-240 V ~ 0/50-60 Hz
 DC 176-276 V
 DALI controllable
 A basic isolation exists between power cable and control line
 BEGA Thermal Control®
 Temporary thermal regulation to protect temperature-sensitive components without switching off the luminaire
 Safety class I
 Protection class IP 65
 Dust-tight and protection against water jets
 Impact strength IK08
 Protection against mechanical impacts < 5 joule
 – Safety mark
CE – Conformity mark
 Wind catching area: 0.039 m²
 Weight: 2.6 kg

Lamp

Module connected wattage 27.3 W
 Luminaire connected wattage 30.4 W
 Rated temperature $t_a = 25\text{ °C}$
 Ambient temperature $t_{a,max} = 50\text{ °C}$

77 539 K4

Module designation LED-0935/940
 Colour temperature 4000 K
 Colour rendering index CRI > 90
 Module luminous flux 4575 lm
 Luminaire luminous flux 3706 lm
 Luminaire luminous efficiency 121,9 lm/W

77 539 K3

Module designation LED-0935/930
 Colour temperature 3000 K
 Colour rendering index CRI > 90
 Module luminous flux 4325 lm
 Luminaire luminous flux 3504 lm
 Luminaire luminous efficiency 115,3 lm/W

Service life of the LED

Ambient temperature $t_a = 25\text{ °C}$
 – at > 500,000h: L 70 B 50

max. ambient temperature $t_a = 50\text{ °C}$
 – at 111,000h: L 70 B 50

Inrush current

Inrush current: 10 A / 200 μ s
 Maximum number of luminaires of this type per miniature circuit breaker:
 B 10A: 19 luminaires
 B 16A: 30 luminaires
 C 10A: 31 luminaires
 C 16A: 51 luminaires

Light technique

Broad spread light distribution.
 Half beam angle 92/97°
 Luminaire data for the light planning program DIALux for outdoor lighting, street lighting and indoor lighting, as well as luminaire data in EULUMDAT and IES format are available on the BEGA website at www.bega.com.

Article No. 77 539

LED colour temperature optionally 4000K or 3000K
 4000 K – Article number + **K4**
 3000 K – Article number + **K3**

Colour optionally graphite, white or silver
 Graphite – Article number
 White – Article number + **W**
 Silver – Article number + **A**

Accessories

70 502 Shield
 The attachable shield screens the light upwards or downwards.

A separate instructions for use can be provided upon request.

Light distribution

