

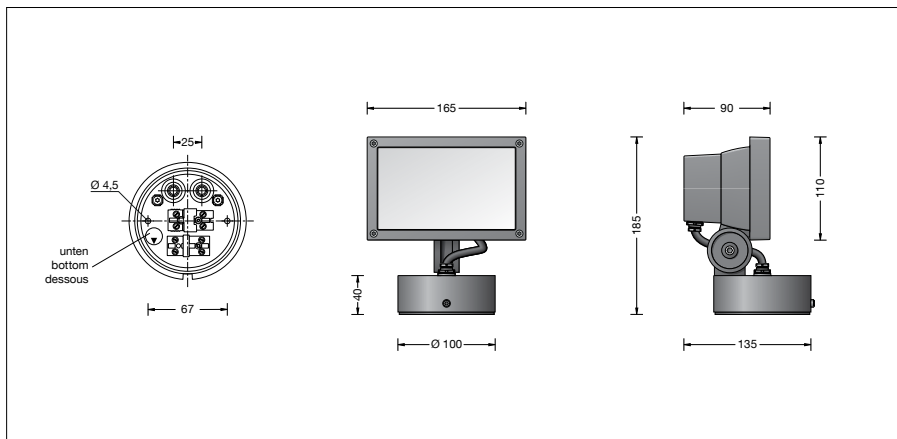
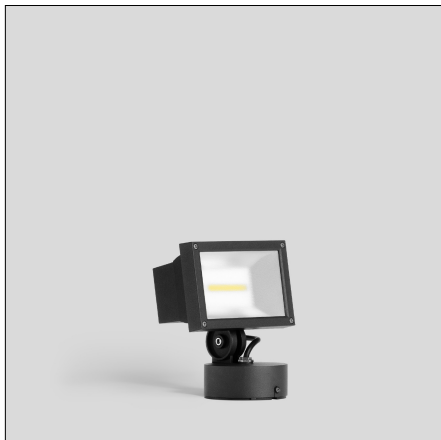
**BEGA****77 538**

Surface floodlight



Project · Reference number

Date



## Product data sheet

**Application**

LED floodlight for broad spread light distribution.  
Floodlight with mounting box for permanent installation on a wall, under a ceiling or on a pillar.

**Product description**

Luminaire made of aluminium alloy, aluminium and stainless steel  
Safety glass with optical structure  
Silicone gasket  
Reflector made of pure anodised aluminium  
Rotation range of floodlight 350°  
Swivel range -35°/+90°  
Mounting box with 2 fixing holes  
ø 4.5 mm · 67 mm spacing  
2 cable entries for through-wiring of mains supply cable ø 7-10.5 mm, max. 5G1.5<sup>□</sup>  
Connecting terminal 2.5<sup>□</sup> with plug connection  
Earth conductor connection  
LED power supply unit  
220-240 V ~ 0/50-60 Hz  
DC 170-280 V  
DALI controllable  
A basic isolation exists between power cable and control line  
Safety class I  
Protection class IP 65  
Dust-tight and protection against water jets  
Impact strength IK07  
Protection against mechanical impacts < 2 joule  
 – Safety mark  
 – Conformity mark  
Wind catching area: 0.022 m<sup>2</sup>  
Weight: 1.5 kg

**Lamp**

Module connected wattage 17.6 W  
Luminaire connected wattage 20.5 W  
Rated temperature  $t_a = 25\text{ °C}$   
Ambient temperature  $t_{a,max} = 45\text{ °C}$

On request we can offer you modifications for environments with higher temperatures as a customized product.

**77 538 K4**

Module designation LED-0313/940  
Colour temperature 4000 K  
Colour rendering index CRI > 90  
Module luminous flux 2940 lm  
Luminaire luminous flux 2392 lm  
Luminaire luminous efficiency 116,7 lm/W

**77 538 K3**

Module designation LED-0313/930  
Colour temperature 3000 K  
Colour rendering index CRI > 90  
Module luminous flux 2780 lm  
Luminaire luminous flux 2319 lm  
Luminaire luminous efficiency 113,1 lm/W

**Service life of the LED**

Ambient temperature  $t_a = 25\text{ °C}$   
– at > 500,000 h: L70 B50

max. ambient temperature  $t_a = 45\text{ °C}$   
– at 150,000 h: L70 B50

**Inrush current**

Inrush current: 5 A / 50  $\mu$ s  
Maximum number of luminaires of this type per miniature circuit breaker:  
B 10A: 31 luminaires  
B 16A: 50 luminaires  
C 10A: 52 luminaires  
C 16A: 85 luminaires

**Light technique**

Broad spread light distribution.  
Half beam angle 76/89°  
Luminaire data for the light planning program DIALux for outdoor lighting, street lighting and indoor lighting, as well as luminaire data in EULUMDAT and IES format are available on the BEGA website at [www.bega.com](http://www.bega.com).

**Article No. 77 538**

LED colour temperature optionally 4000K or 3000K  
4000 K – Article number + **K4**  
3000 K – Article number + **K3**  
Colour optionally graphite, white or silver  
Graphite – Article number  
White – Article number + **W**  
Silver – Article number + **A**

**Accessories**

**70 500** Shield  
The attachable shield screens the light upwards or downwards.

A separate instructions for use can be provided upon request.

**Light distribution**