

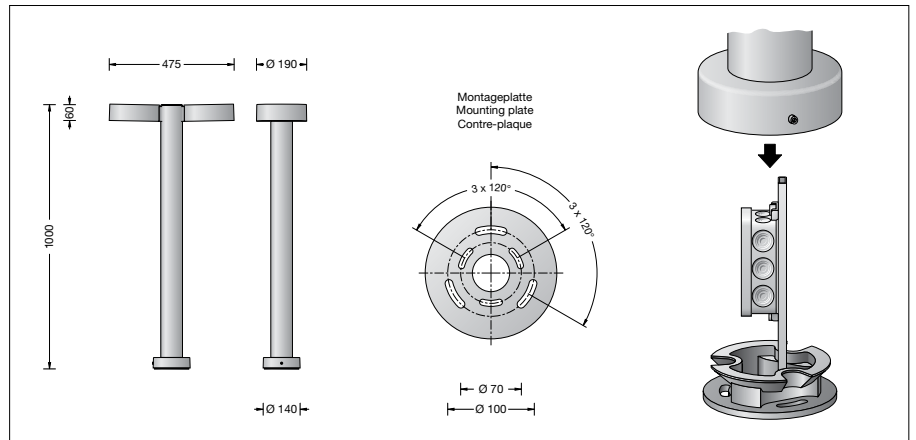
BEGA**77 321**

Garden luminaire



Project · Reference number

Date



Product data sheet

Product description

Luminaire made of aluminium alloy, aluminium and stainless steel
 BEGA Unidure® coating technology
 Clear impact resistant synthetic diffuser with optical structure
 Silicone gasket
 Luminaire with mounting plate for bolting onto a foundation or an anchorage unit
 Mounting plate with two pitch circles:
 \varnothing 70 mm, 3 elongated holes 7 mm wide
 \varnothing 100 mm, 3 elongated holes 9 mm wide
 Luminaire can be aligned on the mounting plate around 360°
 Mounting bracket with connection box for through-wiring of up to 5 x 2,5²
 LED power supply unit
 220-240 V \sim 0/50-60 Hz
 DC 176-276 V
 DALI controllable
 A basic isolation exists between power cable and control line
 BEGA Thermal Control®
 Temporary thermal regulation to protect temperature-sensitive components without switching off the luminaire
 Safety class I
 Protection class IP 65
 Dust-tight and protection against water jets
 Impact strength IK08
 Protection against mechanical impacts < 5 joule
 – Safety mark
 – Conformity mark
 Weight: 6.2 kg

Application

LED garden and path luminaire with shielded, flat beam light directed downwards.
 The flat beam, wide beam light distribution is particularly suitable for illuminating paths and entrance areas.

Lamp

Module connected wattage 2x 7.6 W
 Luminaire connected wattage 20 W
 Rated temperature $t_a = 25$ °C
 Ambient temperature $t_{a \max} = 45$ °C

77 321 K3

Module designation 2x LED-0270/830
 Colour temperature 3000 K
 Colour rendering index CRI > 80
 Module luminous flux 3020 lm
 Luminaire luminous flux 1520 lm
 Luminaire luminous efficiency 76 lm/W

77 321 K4

Module designation 2x LED-0270/840
 Colour temperature 4000 K
 Colour rendering index CRI > 80
 Module luminous flux 3120 lm
 Luminaire luminous flux 1570 lm
 Luminaire luminous efficiency 78,5 lm/W

Service life · Ambient temperature

Rated temperature $t_a = 25$ °C
 LED psu: > 50,000 h
 LED module: > 200,000 h (L 80 B 50)
 100,000 h (L 90 B 50)

Ambient temperature $t_{a \max} = 45$ °C (100 %)
 LED psu: 50,000 h
 LED module: 165,000 h (L 80 B 50)

Inrush current

Inrush current: 4 A / 30 μ s
 Maximum number of luminaires of this type per miniature circuit breaker:
 B 10A: 50 luminaires
 B 16A: 50 luminaires
 C 10A: 50 luminaires
 C 16A: 50 luminaires

Light technique

Luminaire data for the light planning program DIALux for outdoor lighting, street lighting and indoor lighting as well as luminaire data in EULUMDAT- and IES-format you will find on the BEGA web page www.bega.com.

Article No. 77 321

LED colour temperature optionally 3000 K or 4000 K
 3000 K – Article number + **K3**
 4000 K – Article number + **K4**

Colour graphite or silver
 graphite – article number
 silver – article number + **A**

Accessory

70 895 Anchorage unit with mounting flange made of hot-dip galvanised steel. Total length 400 mm. 3 stainless steel fixing screws M8. Pitch circle \varnothing 100 mm.

See the separate instructions for use.

Light distribution

