

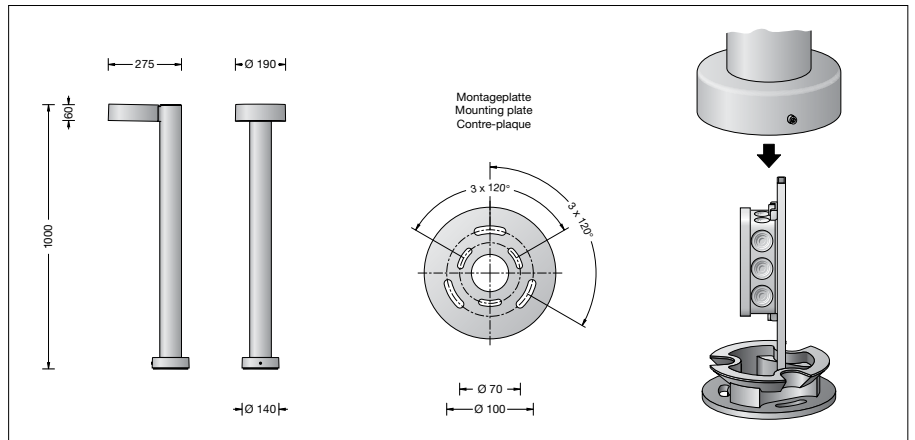
BEGA**77 221**

Garden luminaire



Project · Reference number

Date



Product data sheet

Application

LED garden and path luminaire with shielded, flat beam light directed downwards.

The flat beam, wide beam light distribution is particularly suitable for illuminating paths and entrance areas.

The used LED technique offers durability and optimal light output with low power consumption at the same time.

Product description

Luminaire made of aluminium alloy, aluminium and stainless steel
 Clear impact resistant synthetic diffuser with optical structure
 Silicone gasket
 Luminaire with mounting plate for bolting onto a foundation or an anchorage unit
 Mounting plate with two pitch circles:
 \varnothing 70 mm, 3 elongated holes 7 mm wide
 \varnothing 100 mm, 3 elongated holes 9 mm wide
 Luminaire can be aligned on the mounting plate around 360°
 Mounting bracket with connection box and 3-pole terminal 4[□] for connection of mains supply cable max. 3 x 2.5[□]
 LED power supply unit
 220-240 V \sphericalangle 0/50-60 Hz
 DC 176-280 V
 Safety class I
 Protection class IP 65
 Dust-tight and protection against water jets
 Impact strength IK08
 Protection against mechanical impacts < 5 joule
 – Safety mark
 – Conformity mark
 Weight: 4.6 kg

Lamp

Module connected wattage	7.8 W
Luminaire connected wattage	10 W
Rated temperature	$t_a = 25\text{ }^\circ\text{C}$
Ambient temperature	$t_{a\text{max}} = 50\text{ }^\circ\text{C}$

On request we can offer you modifications for environments with higher temperatures as a customized product.

77 221 K3

Module designation	2x LED-0270/830
Colour temperature	3000 K
Colour rendering index	CRI > 80
Module luminous flux	1450 lm
Luminaire luminous flux	751 lm
Luminaire luminous efficiency	75,1 lm/W

77 221 K4

Module designation	2x LED-0270/840
Colour temperature	4000 K
Colour rendering index	CRI > 80
Module luminous flux	1490 lm
Luminaire luminous flux	771 lm
Luminaire luminous efficiency	77,1 lm/W

Lifetime of the LED

Ambient temperature $t_a = 15\text{ }^\circ\text{C}$
 – at 50,000h: L90B10
 – at > 500,000h: L70B50

Ambient temperature $t_a = 25\text{ }^\circ\text{C}$
 – at 50,000h: L90B10
 – at > 500,000h: L70B50

max. ambient temperature $t_a = 50\text{ }^\circ\text{C}$
 – at 50,000h: L80B10
 – at 194,000h: L70B50

Inrush current

Inrush current: 20 A / 80 μs
 Maximum number of luminaires of this type per miniature circuit breaker:
 B 10A: 35 luminaires
 B 16A: 56 luminaires
 C 10A: 58 luminaires
 C 16A: 94 luminaires

Light technique

Luminaire data for the light planning program DIALux for outdoor lighting, street lighting and indoor lighting as well as luminaire data in EULUMDAT- and IES-format you will find on the BEGA web page www.bega.com.

Article No. 77 221

LED colour temperature optionally 3000 K or 4000 K
 3000 K – Article number + **K3**
 4000 K – Article number + **K4**

Colour graphite or silver
 graphite – article number
 silver – article number + **A**

Accessory

70 895 Anchorage unit with mounting flange made of hot-dip galvanised steel. Total length 400 mm. 3 stainless steel fixing screws M8. Pitch circle \varnothing 100 mm.

See the separate instructions for use.

Light distribution