

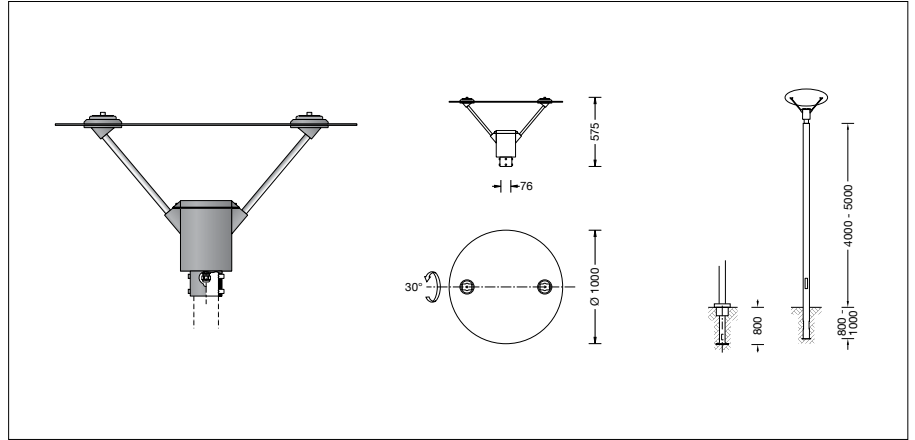
BEGA**77 210**

Pole top luminaire




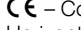
Project · Reference number

Date



Product data sheet

Product description

Luminaire made of aluminium alloy,
aluminium and stainless steel
BEGA Unidure® coating technology
Clear safety glass
Silicone gasket
Reflector made of pure anodised aluminium
For pole top \varnothing 76 mm
Slip fitter insert depth 105 mm
Connecting cable X05BQ-F 5 G 1[□]
Cable length 6 m
LED power supply unit
220-240 V \sim 0/50-60 Hz
DC 176-276 V
DALI controllable
A basic isolation exists between power cable
and control line
BEGA Thermal Switch®
Temporary thermal shutdown to protect
temperature-sensitive components
Safety class I
Protection class IP 65
Dust-tight and protection against water jets
Impact strength IK09
Protection against mechanical
impacts < 10 joule
 – Safety mark
 – Conformity mark
Horizontal wind catching area: 0.46 m²
Weight: 20.0 kg

Application

Pole-top luminaire with rotationally symmetrical
light distribution when the top reflector
is adjusted in a horizontal position and
asymmetrical when the top reflector is swivelled.
A high powerful floodlight is the light source of
this luminaire. Absolutely glare-free.
The light is directed towards the top reflector
and indirectly distributed.
For lighting of squares and pathways in public
and private areas.
For mounting heights 4000 - 5000 mm.

Lamp

Module connected wattage	44.6 W
Luminaire connected wattage	49.5 W
Rated temperature	$t_a = 25\text{ °C}$
Ambient temperature	$t_{a\text{ max}} = 30\text{ °C}$

On request we can offer you modifications for
enviroments with higher temperatures as a
customized product.

77 210 K4

Module designation	LED-0688/840
Colour temperature	4000 K
Colour rendering index	CRI > 80
Module luminous flux	8290 lm
Luminaire luminous flux	3982 lm
Luminaire luminous efficiency	80,4 lm/W

77 210 K3

Module designation	LED-0688/830
Colour temperature	3000 K
Colour rendering index	CRI > 80
Module luminous flux	8080 lm
Luminaire luminous flux	3881 lm
Luminaire luminous efficiency	78,4 lm/W

Service life · Ambient temperature

Rated temperature $t_a = 25\text{ °C}$	
LED psu:	> 50,000h
LED module:	> 200,000h (L80B50)

Ambient temperature $t_{a\text{ max}} = 30\text{ °C}$ (100 %)	
LED psu:	50,000h
LED module:	190,000h (L80B50)

Inrush current

Inrush current: 10 A / 200 μ s
Maximum number of luminaires of this
type per miniature circuit breaker:
B 10A: 19 luminaires
B 16A: 30 luminaires
C 10A: 31 luminaires
C 16A: 51 luminaires

Light technique

Luminaire data for the light planning program
DIALux for outdoor lighting, street lighting and
indoor lighting as well as luminaire data in
EULUMDAT- and IES-format you will find on the
BEGA web page www.bega.com.

Article No. 77 210

LED colour temperature optionally 4000 K
or 3000 K
4000 K – Article number + **K4**
3000 K – Article number + **K3**

Accessories

For this luminaire we recommend the following
BEGA luminaire poles:

Cylindrical aluminium poles · lacquered
with access door and C-clamp

70 737 Pole with anch.section	H 4000 mm
70 748 Pole with anch.section	H 5000 mm
70 731 Pole with baseplate	H 4000 mm
70 734 Pole with baseplate	H 5000 mm

For suitable connection boxes please see the
instructions for use of the luminaire poles.

Light distribution

