

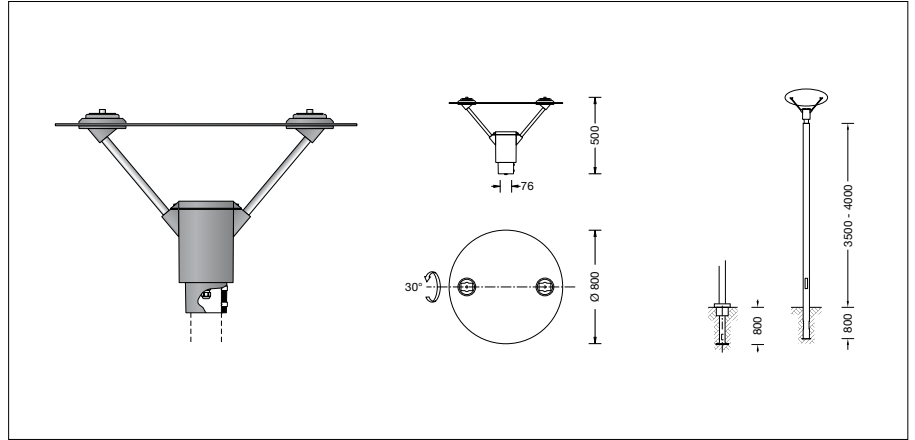
BEGA**77 208**

Pole top luminaire



Project · Reference number

Date



Product data sheet

Application

LED pole top luminaire with adjustable light distribution.

The light is directed towards the top reflector and indirectly distributed.

Rotationally symmetrical light distribution when the top reflector is adjusted in a horizontal position, asymmetrical when the top reflector is swivelled.

For mounting heights 3500 - 4000 mm.

Product description

Luminaire made of aluminium alloy, aluminium and stainless steel

Matt safety glass

Silicone gasket

Reflector made of pure anodised aluminium

For pole top \varnothing 76 mm

Slip fitter insert depth 80 mm

Connecting cable X05BQ-F 5 G 1[□]

Cable length 6 m

Light distribution adjustable in 4 steps without tools

LED power supply unit

220-240 V \sim 0/50-60 Hz

DC 176-264 V

During DC operation the LED power is reduced to 50 %

DALI controllable

A basic isolation exists between power cable and control line

Safety class I

Protection class IP 65

Dust-tight and protection against water jets

Impact strength IK09

Protection against mechanical impacts < 10 joule

– Safety mark

CE – Conformity mark

Horizontal wind catching area: 0.28 m²

Weight: 15.0 kg

Lamp

Module connected wattage

35.7 W

Luminaire connected wattage

39.7 W

Rated temperature

$t_a = 25$ °C

Ambient temperature

$t_{a,max} = 40$ °C

77 208 K4

Module designation

LED-0785/840

Colour temperature

4000 K

Colour rendering index

CRI > 80

Module luminous flux

6165 lm

Luminaire luminous flux

3212 lm

Luminaire luminous efficiency

80,9 lm/W

77 208 K3

Module designation

LED-0785/830

Colour temperature

3000 K

Colour rendering index

CRI > 80

Module luminous flux

6010 lm

Luminaire luminous flux

3131 lm

Luminaire luminous efficiency

78,9 lm/W

Service life of the LED

Ambient temperature $t_a = 25$ °C

– at 310,000h: L70B50

max. ambient temperature $t_a = 40$ °C

– at 240,000h: L70B50

Ambient temperature $t_{a,max} = 50$ °C (55 %)

LED psu: 50,000h

LED module: 50,000h

BEGA Thermal Control® protects temperature-sensitive luminaire components by temporarily limiting the nominal power at high temperatures.

Inrush current

Inrush current: 5 A / 100 μ s

Maximum number of luminaires of this type per miniature circuit breaker:

B 10A: 27 luminaires

B 16A: 44 luminaires

C 10A: 27 luminaires

C 16A: 44 luminaires

Light technique

Luminaire data for the light planning program DIALux for outdoor lighting, street lighting and indoor lighting as well as luminaire data in EULUMDAT- and IES-format you will find on the BEGA web page www.bega.com.

Article No. 77 208

LED colour temperature optionally 4000 K or 3000 K

4000 K – Article number + **K4**

3000 K – Article number + **K3**

Accessories

For this luminaire we recommend the following BEGA luminaire poles:

Cylindrical aluminium poles, lacquered with access door and C-clamp

70 906 Pole with anch.section H 3500 mm

70 742 Pole with anch.section H 4000 mm

70 732 Pole with baseplate H 3500 mm

70 733 Pole with baseplate H 4000 mm

For suitable connection boxes please see the instructions for use of the luminaire poles.

Light distribution