

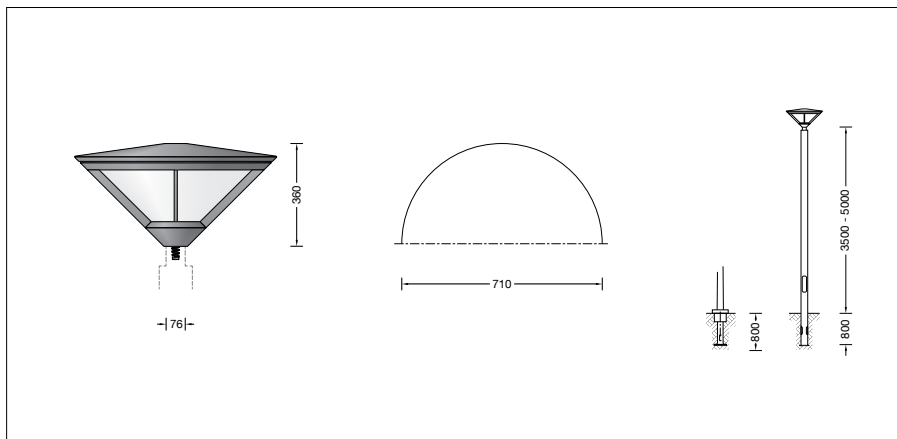
BEGA**77 180**

Pole top luminaire



Project · Reference number

Date



Product data sheet

Application

LED pole-top luminaire with symmetrical light distribution.

For mounting heights 3500 - 5000 mm.

Product description

Luminaire made of aluminium alloy, aluminium and stainless steel
White synthetic diffuser
Reflector made of pure anodised aluminium
For pole top \varnothing 76 mm
Slip fitter insert depth 60 mm
Connecting cable X05BQ-F 5 G 1[□]
Cable length 6 m

LED power supply unit
220-240 V \sim 0/50-60 Hz
DC 176-264 V

During DC operation the LED power is reduced to 50 %

DALI controllable

A basic isolation exists between power cable and control line

Safety class I

Protection class IP 54

Protection against harmful dust deposits and splash water

Impact strength IK09

Protection against mechanical

impacts < 10 joule

– Safety mark

– Conformity mark

Wind catching area: 0.15 m²

Weight: 14.4 kg

Lamp

Module connected wattage 22.8 W
Luminaire connected wattage 26.6 W
Rated temperature $t_a = 25$ °C
Ambient temperature $t_{a,max} = 50$ °C

77 180 K4

Module designation 6x LED-0146/840
Colour temperature 4000 K
Colour rendering index CRI > 80
Module luminous flux 4710 lm
Luminaire luminous flux 2495 lm
Luminaire luminous efficiency 93,8 lm/W

77 180 K3

Module designation 6x LED-0146/830
Colour temperature 3000 K
Colour rendering index CRI > 80
Module luminous flux 4590 lm
Luminaire luminous flux 2431 lm
Luminaire luminous efficiency 91,4 lm/W

Service life of the LED

Ambient temperature $t_a = 25$ °C
– at > 500,000h: L70B50

max. ambient temperature $t_a = 50$ °C

– at 151,000h: L70B50

Light technique

Luminaire data for the light planning program
DIALux for outdoor lighting, street lighting and indoor lighting as well as luminaire data in EULUMDAT- and IES-format you will find on the BEGA web page www.bega.com.

Inrush current

Inrush current: 5 A / 100 μ s
Maximum number of luminaires of this type per miniature circuit breaker:
B 10A: 27 luminaires
B 16A: 44 luminaires
C 10A: 27 luminaires
C 16A: 44 luminaires

Article No. 77 180

LED colour temperature optionally 4000 K or 3000 K

4000 K – Article number + **K4**

3000 K – Article number + **K3**

Accessories

For this luminaire we recommend the following BEGA luminaire poles:

Cylindrical aluminium poles, lacquered with access door and C-clamp

70 906 Pole with anch.section	H 3500 mm
70 742 Pole with anch.section	H 4000 mm
70 743 Pole with anch.section	H 4500 mm
70 744 Pole with anch.section	H 5000 mm
70 732 Pole with baseplate	H 3500 mm
70 733 Pole with baseplate	H 4000 mm

Tapered aluminium poles, lacquered with access door and C-clamp

70 913 Pole with anch.section	H 3500 mm
70 914 Pole with anch.section	H 4000 mm
70 725 Pole with anch.section	H 4500 mm
70 915 Pole with anch.section	H 5000 mm
70 789 Pole with baseplate	H 3500 mm
70 791 Pole with baseplate	H 4000 mm
70 792 Pole with baseplate	H 4500 mm
70 794 Pole with baseplate	H 5000 mm

For suitable connection boxes please see the instructions for use of the luminaire poles.

Light distribution