

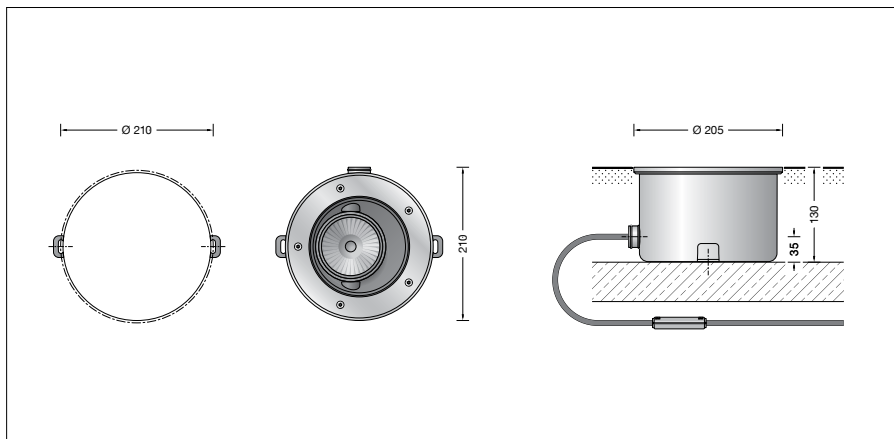
BEGA**77 177**

In-ground luminaire

 IP 68


Project · Reference number

Date



Product data sheet

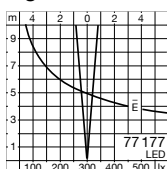
Product description

Cover ring Luminaire housing made of stainless steel and cast stainless steel
Steel grade number 1.4301
Clear safety glass
Reflector made of pure anodised aluminium
1,8 m water-resistant connecting cable
07RN8-F 5G 1[□] with implemented water stopper and 1.2 m PVC cable conduit
LED power supply unit
220-240 V \sim 0/50-60 Hz
DC 176-280 V
DALI controllable
A basic isolation exists between power cable and control line
Safety class I
Protection class IP 68 10 m
Dust-tight and water pressure tight
Maximum submersion depth 10 m
Pressure load 3,000 kg (29 kN)
Impact strength IK10
Protection against mechanical impacts < 20 joule
Maximum surface temperature 35 °C (measured according to EN 60598 of t_a 15 °C)
CE – Conformity mark
 – Safety mark
Weight: 5.4 kg

Inrush current

Inrush current: 5 A / 50 μ s
Maximum number of luminaires of this type per miniature circuit breaker:
B10A: 31 luminaires
B16A: 50 luminaires
C10A: 52 luminaires
C16A: 85 luminaires

Light distribution



Application

In-ground LED floodlight with swivel-mounted and rotatable optical system. Adjustable tilt angle of the reflector allows optionally a symmetrical or asymmetrical light distribution. Floodlight with low installation depth for flush-mounting installation in compacted surfaces, paths and floors. Drive-over luminaire for vehicles with pneumatic tyres.

Please note:

Luminaire must not be used for installation in road lanes, where the fixture is exposed to a horizontal strain due to braking, acceleration and change of direction.
For walk-through public areas, we recommend skid-blocking glass – see accessories.

Lamp

Module connected wattage	9.2 W
Luminaire connected wattage	11 W
Rated temperature	$t_a = 25$ °C
Ambient temperature	$t_{a,max} = 35$ °C

On request we can offer you modifications for environments with higher temperatures as a customized product.

77 177 K4

Module designation	LED-0578/940
Colour temperature	4000 K
Colour rendering index	CRI > 90
Module luminous flux	1160 lm
Luminaire luminous flux	688 lm
Luminaire luminous efficiency	62,5 lm/W

77 177 K3

Module designation	LED-0578/930
Colour temperature	3000 K
Colour rendering index	CRI > 90
Module luminous flux	1125 lm
Luminaire luminous flux	667 lm
Luminaire luminous efficiency	60,6 lm/W

Service life · Ambient temperature

Ambient temperature $t_a = 25$ °C	
LED psu:	> 50,000 h
LED module:	250,000 h (L 80 B 50) 100,000 h (L 80 B 10)

Ambient temperature $t_a = 35$ °C	
LED psu:	50,000 h
LED module:	210,000 h (L 80 B 50) 100,000 h (L 80 B 10)

Light technique

In-ground floodlight with adjustable optical system.
Optical system 0-30° swivel-mounted in 3° steps and $\pm 180^\circ$ infinitely rotatable.
Narrow beam rotationally symmetrical light distribution. Half beam angle 9°
For special lighting tasks it is possible to change the narrow beam light cone into a wide beam or flat beam light distribution by using diffuser lenses.
For wide beam light distribution:
Diffuser lens **70 271**
For flat beam light distribution:
Diffuser lens **70 272**
Light cone $\pm 90^\circ$ rotatable.

Article No. 77 177

LED colour temperature optionally 4000 K or 3000 K
4000 K – Article number + **K4**
3000 K – Article number + **K3**

We supply this luminaire with skid-blocking glass which is denoted by **R** after the article number.

Accessories

14000645R Skid-blocking glass
BEGA skid-blocking glass with the highest rating R 13 according to DIN 51130 can be used without restriction for all public areas.
Abrasion resistance according to EN ISO 10545-7 Class 3

70 271 Exchangeable lens wide beam
70 272 Exchangeable lens flat beam

Distribution box for installation in soil
70 730 Distribution box with 7 cable entries
Connection terminals 5 x 4[□]
71 053 Distribution box with 10 cable entries
Connection terminals 6 x 16[□]

For the accessories a separate instructions for use can be provided upon request.