

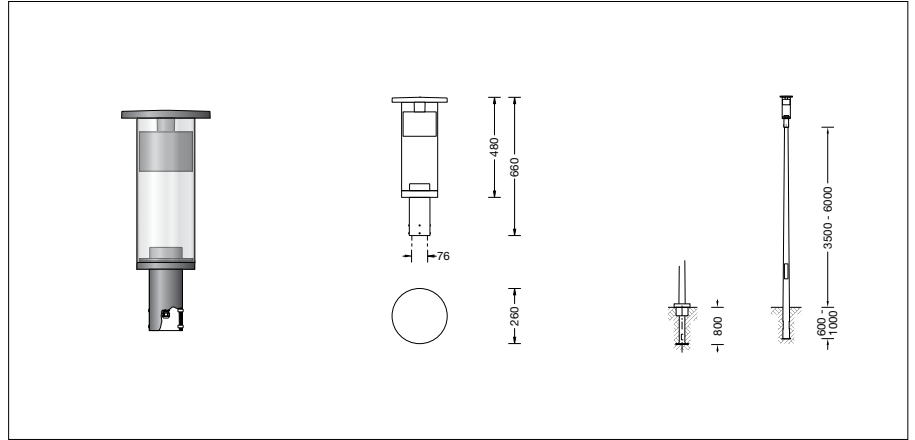
BEGA**77 165**

Pole top luminaire



Project · Reference number

Date



Product data sheet

Application

LED pole top luminaire with asymmetrical and flat beam light distribution and additional light output above the reflector.
The asymmetrical and flat beam light distribution is suitable especially for the illumination of streets according to DIN EN 13201.
For mounting heights 3500 - 6000 mm.

Product description

Luminaire made of aluminium alloy, aluminium and stainless steel
Synthetic diffuser, clear
Silicone gasket
Reflector made of pure anodised aluminium
For pole top \varnothing 76 mm
Slip fitter insert depth 70 mm
Connecting cable X05BQ-F 5 G 1 \square
Cable length 6 m
LED power supply unit
220-240 V \sim 0/50-60 Hz
DC 176-264 V
During DC operation the LED power is reduced to 50 %
DALI controllable
A basic isolation exists between power cable and control line
BEGA Thermal Control®
Temporary thermal regulation to protect temperature-sensitive components without switching off the luminaire
Safety class I
Protection class IP 65
Dust-tight and protection against water jets
Impact strength IK10
Protection against mechanical impacts < 20 joule
 – Safety mark
CE – Conformity mark
Horizontal wind catching area: 0.1 m²
Weight: 6.6 kg

Lamp

Module connected wattage 29.4 W
Luminaire connected wattage 33 W
Rated temperature $t_a = 25 \text{ }^\circ\text{C}$
Ambient temperature $t_{a \text{ max}} = 45 \text{ }^\circ\text{C}$

77 165 K4

Module designation LED-0431/840
Colour temperature 4000 K
Colour rendering index CRI > 80
Module luminous flux 5720 lm
Luminaire luminous flux 3507 lm
Luminaire luminous efficiency 106,3 lm/W

77 165 K3

Module designation LED-0431/830
Colour temperature 3000 K
Colour rendering index CRI > 80
Module luminous flux 5560 lm
Luminaire luminous flux 3409 lm
Luminaire luminous efficiency 103,3 lm/W

Service life of the LED

Ambient temperature $t_a = 25 \text{ }^\circ\text{C}$
– at > 500,000h: L 70 B 50

max. ambient temperature $t_a = 45 \text{ }^\circ\text{C}$
– at 151,000h: L 70 B 50

Ambient temperature $t_{a \text{ max}} = 50 \text{ }^\circ\text{C}$ (88 %)
LED psu: 50,000h
LED module: 50,000h

BEGA Thermal Control® protects temperature-sensitive luminaire components by temporarily limiting the nominal power at high temperatures.

Inrush current

Inrush current: 5 A / 100 μs
Maximum number of luminaires of this type per miniature circuit breaker:
B 10A: 27 luminaires
B 16A: 44 luminaires
C 10A: 27 luminaires
C 16A: 44 luminaires

Light technique

Luminaire data for the light planning program DIALux for outdoor lighting, street lighting and indoor lighting as well as luminaire data in EULUMDAT- and IES-format you will find on the BEGA web page www.bega.com.

Article No. 77 165

LED colour temperature optionally 4000 K or 3000 K
4000 K – Article number + **K4**
3000 K – Article number + **K3**

Colour graphite or silver
graphite – article number
silver – article number + **A**

Accessories

For this luminaire we recommend the following BEGA luminaire poles:

Tapered aluminium poles · lacquered with access door and C-clamp
70913 Pole with anch.section H 3500 mm
70914 Pole with anch.section H 4000 mm
70725 Pole with anch.section H 4500 mm
70915 Pole with anch.section H 5000 mm
70916 Pole with anch.section H 6000 mm
70789 Pole with baseplate H 3500 mm
70791 Pole with baseplate H 4000 mm
70792 Pole with baseplate H 4500 mm
70794 Pole with baseplate H 5000 mm

Cylindrically stepped aluminium poles, lacquered with door und C rail
70901 Pole with anch.section H 4000 mm
70903 Pole with anch.section H 5000 mm
70905 Pole with anch.section H 6000 mm

For suitable connection boxes please see the instructions for use of the luminaire poles.

Light distribution