

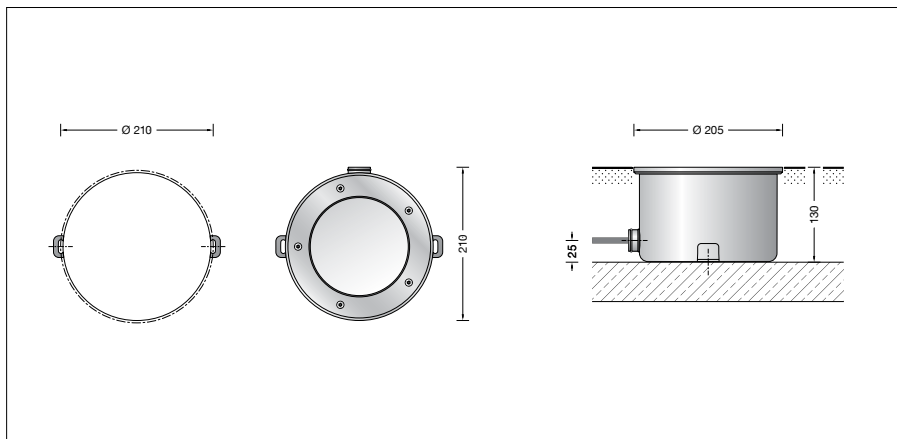
**BEGA****77 162**

In-ground luminaire



Project · Reference number

Date



## Product data sheet

### Application

Recessed LED location luminaire with low installation depth for flush-mounting installation in compacted surfaces, paths and open areas. Drive-over luminaire for vehicles with pneumatic tyres.

### Please note:

Luminaire must not be used for installation in road lanes, where the fixture is exposed to a horizontal strain due to braking, acceleration and change of direction.

For walk-through public areas, we recommend skid-blocking glass – see accessories.

### Product description

Cover ring Luminaire housing made of stainless steel and cast stainless steel  
Steel grade number 1.4301  
Safety glass, white  
1,8 m water-resistant connecting cable H07RN8-F 3G 1,5<sup>□</sup> with implemented water stopper and 1.2 m PVC cable conduit  
LED power supply unit  
220-240 V ~ 0/50-60 Hz  
DC 176-264 V  
Safety class I  
Protection class IP 68 10 m  
Dust-tight and water pressure tight  
Maximum submersion depth 10 m  
Not suitable for permanent operation under water  
Pressure load 3,000 kg (29 kN)  
Impact strength IK10  
Protection against mechanical impacts < 20 joule  
Maximum surface temperature 20 °C (measured according to EN 60598 of ta 15 °C)  
 – Safety mark  
**CE** – Conformity mark  
Weight: 4.6 kg

### Lamp

Module connected wattage	3 W
Luminaire connected wattage	4.1 W
Rated temperature	$t_a = 25\text{ °C}$
Ambient temperature	$t_{a\text{ max}} = 50\text{ °C}$
When installed in heat-insulating material	$t_{a\text{ max}} = 35\text{ °C}$

### 77 162 K4

Module designation	LED-0291/840
Colour temperature	4000 K
Colour rendering index	CRI > 80
Module luminous flux	565 lm
Luminaire luminous flux	72 lm
Luminaire luminous efficiency	17,6 lm/W

### 77 162 K3

Module designation	LED-0291/830
Colour temperature	3000 K
Colour rendering index	CRI > 80
Module luminous flux	550 lm
Luminaire luminous flux	70 lm
Luminaire luminous efficiency	17,1 lm/W

### Service life of the LED

Ambient temperature  $t_a = 25\text{ °C}$   
– at 460,000h: L70B50

max. ambient temperature  $t_a = 50\text{ °C}$   
– at 245,000h: L70B50

### Inrush current

Inrush current: 7 A / 112  $\mu$ s  
Maximum number of luminaires of this type per miniature circuit breaker:  
B 10A: 38 luminaires  
B 16A: 61 luminaires  
C 10A: 64 luminaires  
C 16A: 102 luminaires

### Light technique

Luminaire data for the light planning program DIALux for outdoor lighting, street lighting and indoor lighting as well as luminaire data in EULUMDAT- and IES-format you will find on the BEGA web page [www.bega.com](http://www.bega.com).

### Article No. 77 162

LED colour temperature optionally 4000 K or 3000 K  
4000 K – Article number + **K4**  
3000 K – Article number + **K3**

We supply this luminaire with skid-blocking glass which is denoted by **R** after the article number.

### Accessories

**14000653R** Skid-blocking glass  
BEGA skid-blocking glass with the highest rating R 13 according to DIN 51130 can be used without restriction for all public areas. Abrasion resistance according to EN ISO 10545-7 Class 3

Distribution box for installation in soil  
**70 730** Distribution box with 7 cable entries  
Connection terminals 5 x 4<sup>□</sup>

**71 053** Distribution box with 10 cable entries  
Connection terminals 6 x 16<sup>□</sup>

For the accessories a separate instructions for use can be provided upon request.