

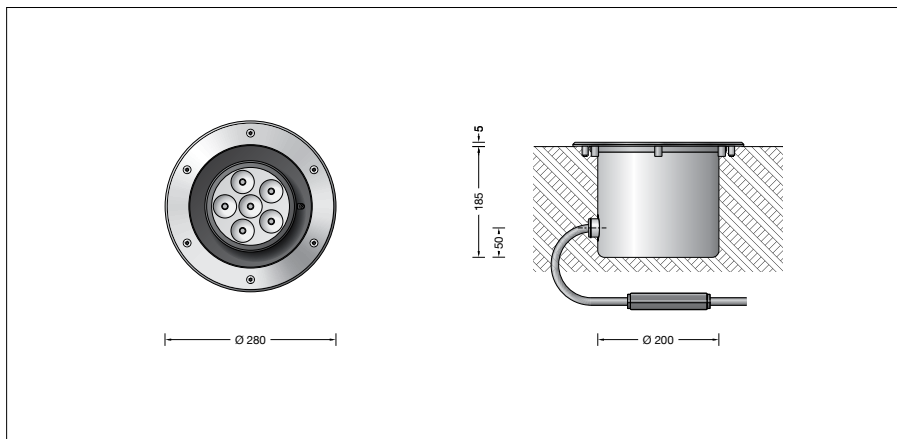
BEGA**77 147**

In-ground luminaire



Project · Reference number

Date



Product data sheet

Application

In-ground floodlight with swivel-mounted and rotatable LED optical system. Adjustable tilt angle of the reflector allows optionally a symmetrical or asymmetrical light distribution. Luminaire for installation in gravel, lawns, beds and compacted non-inflammable surface. Drive-over luminaire for vehicles with pneumatic tyres.

Please note: Luminaire must not be used for installations in road lanes, where the fixture is exposed to a horizontal strain due to braking, acceleration and change of direction. The minimum distance to illuminated objects above the light distribution opening must be ≥ 0.5 m.

We recommend skid-blocking glass for walk-over public areas – see accessories.

Lamp

Module connected wattage	11.5 W
Luminaire connected wattage	13.2 W
Rated temperature	$t_a = 25$ °C
Ambient temperature	$t_{a,max} = 35$ °C

On request we can offer you modifications for environments with higher temperatures as a customized product.

77 147 K4

Module designation	LED-0833/840
Colour temperature	4000 K
Colour rendering index	CRI > 80
Module luminous flux	2010 lm
Luminaire luminous flux	938 lm
Luminaire luminous efficiency	71,1 lm/W

77 147 K3

Module designation	LED-0833/830
Colour temperature	3000 K
Colour rendering index	CRI > 80
Module flux	1830 lm
Luminaire luminous flux	854 lm
Luminaire luminous efficiency	64,7 lm/W

Product description

Luminaire made of stainless steel
Steel grade no. 1.4301
Clear safety glass
Reflector made of pure anodised aluminium
1,8 m water-resistant connecting cable
07RN8-F 5G 1[□] with implemented water stopper and 1.2 m PVC cable conduit
LED power supply unit
220-240 V \sim 0/50-60 Hz
DC 176-280 V
DALI controllable
A basic isolation exists between power cable and control line
Safety class I
Protection class IP 68 10 m
Dust-tight and water pressure tight
Maximum submersion depth 10 m
Pressure load 2,000 kg (20 kN)
Impact strength IK10
Protection against mechanical impacts < 20 joule
Maximum surface temperature 25 °C (measured according to EN 60598 of t_a 15 °C)
CE – Conformity mark
10 – Safety mark
Weight: 5.6 kg

Inrush current

Inrush current: 5 A / 50 μ s
Maximum number of luminaires of this type per miniature circuit breaker:
B10A: 31 luminaires
B16A: 50 luminaires
C10A: 52 luminaires
C16A: 85 luminaires

Lifetime of the LED

Ambient temperature $t_a = 25$ °C
– at 200,000h: L70B50
max. ambient temperature $t_a = 35$ °C
– at 200,000h: L70B50

Light technique

In-ground floodlight with adjustable optical system.
Optical system 0-30° swivel-mounted in 3° steps and ± 180 ° infinitely rotatable.
Narrow beam rotationally symmetrical light distribution. Half beam angle 13°
For special lighting tasks it is possible to change the narrow beam light cone into a wide beam or flat beam light distribution by using diffuser lenses.
For wide beam light distribution:
Diffuser lens **10047**, half beam angle 39°
For flat beam light distribution:
Diffuser lens **10016**, half beam angle 17°/54°
Light cone ± 90 ° rotatable.

Article No. 77 147

LED colour temperature optionally 4000K or 3000K
4000 K – Article number + **K4**
3000 K – Article number + **K3**

We supply this luminaire with skid-blocking glass which is denoted by **R** after the article number.

Accessories

14001088R Skid-blocking glass
BEGA skid-blocking glass with the highest rating R 13 according to DIN 51130 can be used without restriction for all public areas.
Abrasion resistance according to EN ISO 10545-7 Class 3

10047 Diffuser lens wide beam

10016 Diffuser lens flat beam

70694 Installation housing made of stainless steel

Distribution box for installation in soil

70730 Distribution box with 7 cable entries
Connection terminals 5 x 4[□]

71053 Distribution box with 10 cable entries
Connection terminals 6 x 16[□]

A separate instructions for use can be provided upon request.

Light distribution