

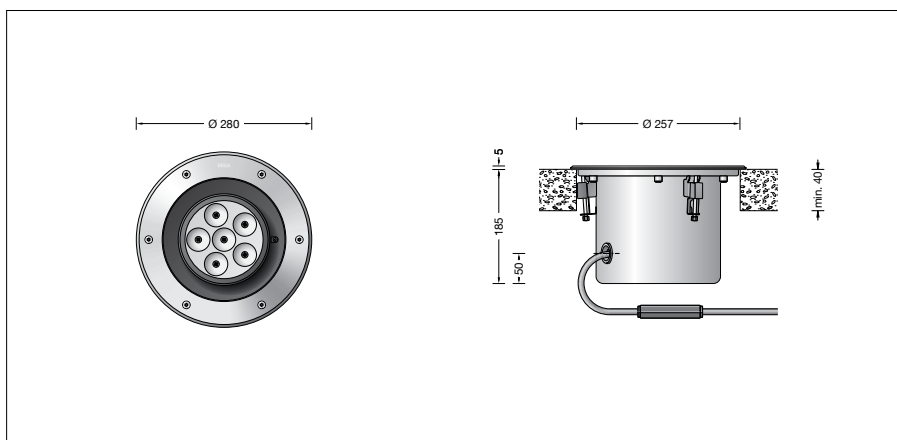
**BEGA****77 129**

In-ground luminaire



Project · Reference number

Date



## Product data sheet

### Application

In-ground floodlight with swivel-mounted and rotatable LED optical system. The adjustable tilt angle of the reflector allows optionally a symmetrical or asymmetrical light distribution. Luminaire for installation in cut-outs in floor sections. Drive-over luminaire for vehicles with pneumatic tyres.

**Please note:** Luminaire must not be used for installations in road lanes, where the fixture is exposed to a horizontal strain due to braking, acceleration and change of direction. The minimum distance to illuminated objects above the light distribution opening must be  $\geq 0.5$  m.

We recommend skid-blocking glass for walk-over public areas – see accessories.

### Lamp

Module connected wattage	11.5 W
Luminaire connected wattage	14 W
Rated temperature	$t_a = 25$ °C
Ambient temperature	$t_{a,max} = 35$ °C

On request we can offer you modifications for environments with higher temperatures as a customized product.

### 77 129 K4

Module designation	LED-0833/840
Colour temperature	4000 K
Colour rendering index	CRI > 80
Module luminous flux	2010 lm
Luminaire luminous flux	938 lm
Luminaire luminous efficiency	67 lm/W

### 77 129 K3

Module designation	LED-0833/830
Colour temperature	3000 K
Colour rendering index	CRI > 80
Module flux	1830 lm
Luminaire luminous flux	854 lm
Luminaire luminous efficiency	61 lm/W

### Product description

Luminaire made of stainless steel  
Steel grade no. 1.4301  
Clear safety glass  
Reflector surface made of pure aluminium  
Required recessed opening  $\varnothing$  257 mm  
Minimum material thickness 40 mm  
Fixing is achieved by using three wedge-shaped clamping elements  
1,8 m water-resistant connecting cable 07RN8-F 5 G 1<sup>□</sup> with implemented water stopper and 1.2 m PVC cable conduit  
LED power supply unit  
220-240 V  $\sim$  0/50-60 Hz  
DC 176-280 V  
DALI controllable  
A basic isolation exists between power cable and control line  
Safety class I  
Protection class IP 68 10 m  
Dust-tight and water pressure tight  
Maximum submersion depth 10 m  
Pressure load 2,000 kg (20 kN)  
Impact strength IK10  
Protection against mechanical impacts < 20 joule  
Maximum surface temperature 25 °C (measured according to EN 60598 of  $t_a$  15 °C)  
CE – Conformity mark  
10 – Safety mark  
Weight: 6.1 kg

### Service life of the LED

Ambient temperature  $t_a = 25$  °C  
– at 200,000 h: L70B50

max. ambient temperature  $t_a = 35$  °C  
– at 200,000 h: L70B50

### Inrush current

Inrush current: 5 A / 50  $\mu$ s  
Maximum number of luminaires of this type per miniature circuit breaker:  
B10A: 31 luminaires  
B16A: 50 luminaires  
C10A: 52 luminaires  
C16A: 85 luminaires

### Light technique

In-ground floodlight with adjustable optical system.  
Optical system 0-30° swivel-mounted in 3° steps and  $\pm 180^\circ$  infinitely rotatable.  
Narrow beam rotationally symmetrical light distribution. Half beam angle 13°  
For special lighting tasks it is possible to change the narrow beam light cone into a wide beam or flat beam light distribution by using diffuser lenses.  
For wide beam light distribution:  
Diffuser lens **10047**, half beam angle 39°  
For flat beam light distribution:  
Diffuser lens **10016**, half beam angle 17°/54°  
Light cone  $\pm 90^\circ$  rotatable.

### Article No. 77 129

LED colour temperature optionally 4000 K or 3000 K  
4000 K – Article number + **K4**  
3000 K – Article number + **K3**

We supply this luminaire with skid-blocking glass which is denoted by **R** after the article number.

### Accessories

**14001088R** Skid-blocking glass  
BEGA skid-blocking glass with the highest rating R 13 according to DIN 51130 can be used without restriction for all public areas.  
Abrasion resistance according to EN ISO 10545-7 Class 3

**10047** Diffuser lens wide beam

**10016** Diffuser lens flat beam

Distribution box for installation in soil

**70730** Distribution box with 7 cable entries  
Connection terminals 5 x 4<sup>□</sup>

**71053** Distribution box with 10 cable entries  
Connection terminals 6 x 16<sup>□</sup>

A separate instructions for use can be provided upon request.

### Light distribution

