

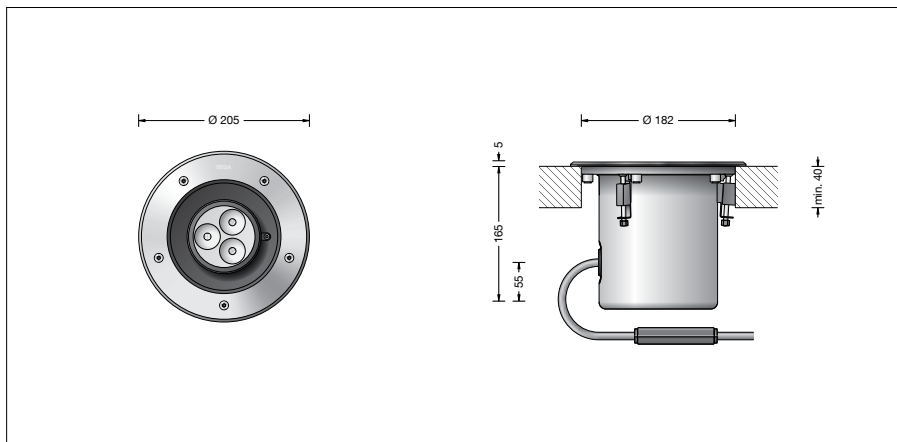
BEGA**77 125**

In-ground luminaire



Project · Reference number

Date



Product data sheet

Application

In-ground floodlight with swivel-mounted and rotatable LED optical system. The adjustable tilt angle of the reflector allows optionally a symmetrical or asymmetrical light distribution. Luminaire for installation in cut-outs in floor sections. Drive-over luminaire for vehicles with pneumatic tyres.

Please note: Luminaire must not be used for installations in road lanes, where the fixture is exposed to a horizontal strain due to braking, acceleration and change of direction. The minimum distance to illuminated objects above the light distribution opening must be ≥ 0.5 m.

We recommend skid-blocking glass for walk-over public areas – see accessories.

Lamp

Module connected wattage	5.7 W
Luminaire connected wattage	7.6 W
Rated temperature	$t_a = 25$ °C
Ambient temperature	$t_{a,max} = 35$ °C

On request we can offer you modifications for environments with higher temperatures as a customized product.

77 125 K4

Module designation	LED-0438/840
Colour temperature	4000 K
Colour rendering index	CRI > 80
Module luminous flux	1005 lm
Luminaire luminous flux	564 lm
Luminaire luminous efficiency	74,2 lm/W

77 125 K3

Module designation	LED-0438/830
Colour temperature	3000 K
Colour rendering index	CRI > 80
Module luminous flux	915 lm
Luminaire luminous flux	514 lm
Luminaire luminous efficiency	67,6 lm/W

Product description

Luminaire made of stainless steel
Steel grade no. 1.4301
Clear safety glass
Reflector surface made of pure aluminium
Required recessed opening \varnothing 182 mm
Minimum material thickness 40 mm
Fixing is achieved by using three wedge-shaped clamping elements
1,8 m water-resistant connecting cable 07RN8-F 5 G 1[□] with implemented water stopper and 1.2 m PVC cable conduit
LED power supply unit
220-240 V \sim 0/50-60 Hz
DC 176-280 V
DALI controllable
A basic isolation exists between power cable and control line
Safety class I
Protection class IP 68 10 m
Dust-tight and water pressure tight
Maximum submersion depth 10 m
Pressure load 2,000 kg (20 kN)
Impact strength IK10
Protection against mechanical impacts < 20 joule
Maximum surface temperature 30 °C (measured according to EN 60598 of t_a 15 °C)
CE – Conformity mark
10 – Safety mark
Weight: 3.4 kg

Lifetime of the LED

Ambient temperature $t_a = 25$ °C
– at 200,000 h: L70B50

max. ambient temperature $t_a = 35$ °C
– at 200,000 h: L70B50

Inrush current

Inrush current: 5 A / 50 μ s
Maximum number of luminaires of this type per miniature circuit breaker:
B 10A: 31 luminaires
B 16A: 50 luminaires
C 10A: 52 luminaires
C 16A: 85 luminaires

Light technique

In-ground floodlight with adjustable optical system.
Optical system 0-30° swivel-mounted in 3° steps and $\pm 180^\circ$ infinitely rotatable.
Narrow beam rotationally symmetrical light distribution. Half beam angle 16°
For special lighting tasks it is possible to change the narrow beam light cone into a wide beam or flat beam light distribution by using diffuser lenses.
For wide beam light distribution:
Diffuser lens **10043**, half beam angle 41°
For flat beam light distribution:
Diffuser lens **10014**, half beam angle 20°/37°
Light cone $\pm 90^\circ$ rotatable.

Article No. 77 125

LED colour temperature optionally 4000K or 3000K
4000 K – Article number + **K4**
3000 K – Article number + **K3**

We supply this luminaire with skid-blocking glass which is denoted by **R** after the article number.

Accessories

14000645R Skid-blocking glass
BEGA skid-blocking glass with the highest rating R 13 according to DIN 51130 can be used without restriction for all public areas.
Abrasion resistance according to EN ISO 10545-7 Class 3

10043 Diffuser lens wide beam
10014 Diffuser lens flat beam

Distribution box for installation in soil
70730 Distribution box with 7 cable entries
Connection terminals 5 x 4[□]
71053 Distribution box with 10 cable entries
Connection terminals 6 x 16[□]

A separate instructions for use can be provided upon request.

Light distribution