

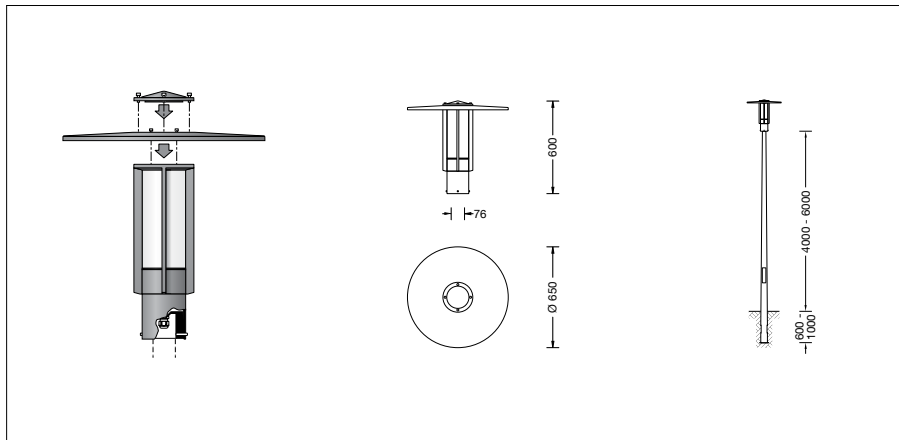
BEGA**77 120**

Pole top luminaire



Project · Reference number

Date



Product data sheet

Application

LED pole-top luminaire with symmetrical light distribution.

For mounting heights 4000 - 6000 mm.

Product description

Luminaire made of aluminium alloy,

aluminium and stainless steel

Synthetic cylinder, white

For pole top \varnothing 76 mm

Slip fitter insert depth 80 mm

Connecting cable X05BQ-F 5 G 1[□]

Cable length 6 m

with plug connection

LED power supply unit

220-240 V \sim 0/50-60 Hz

DC 176-264 V

During DC operation the LED power is reduced to 50 %

DALI controllable

A basic isolation exists between power cable and control line

Safety class I

Protection class IP 65

Dust-tight and protection against water jets

Impact strength IK08

Protection against mechanical

impacts < 5 joule

– Safety mark

– Conformity mark

Wind catching area: 0.12 m²

Weight: 10.5 kg

Lamp

Module connected wattage

22.8 W

Luminaire connected wattage

25.5 W

Rated temperature

 $t_a = 25 \text{ }^\circ\text{C}$

Ambient temperature

 $t_{a \text{ max}} = 55 \text{ }^\circ\text{C}$ **77 120 K4**

Module designation

6x LED-0146/840

Colour temperature

4000 K

Colour rendering index

CRI > 80

Module luminous flux

4710 lm

Luminaire luminous flux

2874 lm

Luminaire luminous efficiency

112,7 lm/W

77 120 K3

Module designation

6x LED-0146/830

Colour temperature

3000 K

Colour rendering index

CRI > 80

Module luminous flux

4590 lm

Luminaire luminous flux

2801 lm

Luminaire luminous efficiency

109,8 lm/W

Service life of the LED

Ambient temperature $t_a = 25 \text{ }^\circ\text{C}$

– at > 500,000h: L 70 B 50

max. ambient temperature $t_a = 55 \text{ }^\circ\text{C}$

– at 108,000h: L 70 B 50

Light technique

Luminaire data for the light planning program

DIALux for outdoor lighting, street lighting and

indoor lighting as well as luminaire data in

EULUMDAT- and IES-format you will find on the

BEGA web page www.bega.com.

Inrush current

Inrush current: 5 A / 100 μs

Maximum number of luminaires of this type per miniature circuit breaker:

B 10A: 27 luminaires

B 16A: 44 luminaires

C 10A: 27 luminaires

C 16A: 44 luminaires

Article No. 77 120

LED colour temperature optionally 4000 K or 3000 K

4000 K – Article number + **K4**

3000 K – Article number + **K3**

Colour graphite or silver

graphite – article number

silver – article number + **A**

Accessories

For this luminaire we recommend the following BEGA luminaire poles:

Tapered aluminium poles,

lacquered with access door and C-clamp

70 914 Pole with anch.section H 4000 mm

70 725 Pole with anch.section H 4500 mm

70 915 Pole with anch.section H 5000 mm

70 916 Pole with anch.section H 6000 mm

70 791 Pole with baseplate H 4000 mm

70 792 Pole with baseplate H 4500 mm

70 794 Pole with baseplate H 5000 mm

Cylindrical aluminium poles,

lacquered with access door and C-clamp

70 742 Pole with anch.section H 4000 mm

70 743 Pole with anch.section H 4500 mm

70 744 Pole with anch.section H 5000 mm

70 732 Pole with baseplate H 3500 mm

70 733 Pole with baseplate H 4000 mm

See the separate instructions for use.

Light distribution