

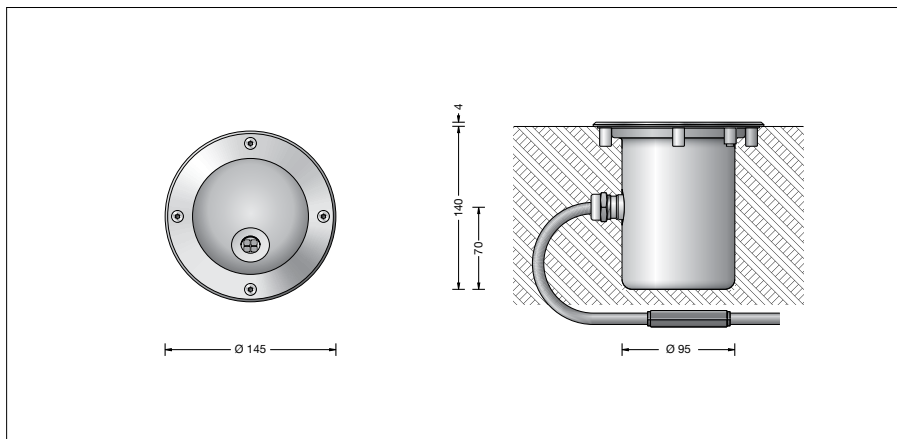
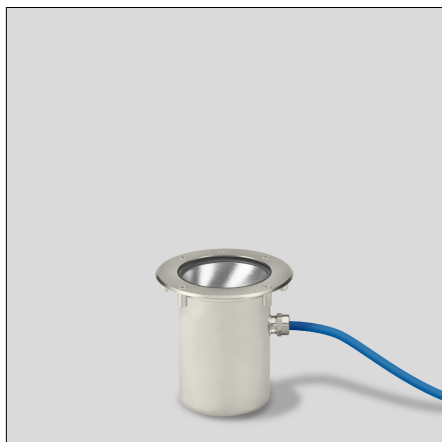
BEGA**77 105**

In-ground luminaire



Project · Reference number

Date



Product data sheet

Application

LED Floodlight with asymmetrical light distribution. For embedding in gravel, lawns, flower beds, or in compacted surfaces. Drive-over luminaire for vehicles with pneumatic tyres.

Please note:

Luminaire must not be used for installation in road lanes, where the fixture is exposed to a horizontal strain due to braking, acceleration and change of direction.

For walk-through public areas, we recommend skid-blocking glass – see accessories.

Product description

Luminaire made of stainless steel

Steel grade no. 1.4301

Clear safety glass

Silicone gasket

Reflector made of pure anodised aluminium

1,8 m water-resistant connecting cable

H07RN8-F 3G1,5² with implemented water stopper and 1.2 m PVC cable conduit

LED power supply unit

220-240 V ~ 0/50-60 Hz

DC 176-264 V

Safety class I

Protection class IP 68 10 m

Dust-tight and water pressure tight

Maximum submersion depth 10 m

Not suitable for permanent operation under water

Pressure load 2,000 kg (20 kN)

Impact strength IK10

Protection against mechanical

impacts < 20 joule

Maximum surface temperature 25 °C

(measured according to EN 60598 of ta 15 °C)

– Safety mark

– Conformity mark

Weight: 1.4 kg

Lamp

Module connected wattage

3 W

Luminaire connected wattage

4.1 W

Rated temperature

t_a = 25 °C

Ambient temperature

t_{a max} = 50 °C

When installed in heat-insulating material

t_{a max} = 30 °C

77 105 K4

Module designation

LED-0326/840

Colour temperature

4000 K

Colour rendering index

CRI > 80

Module luminous flux

570 lm

Luminaire luminous flux

429 lm

Luminaire luminous efficiency

104,6 lm/W

77 105 R K4

Module designation

LED-0326/840

Colour temperature

4000 K

Colour rendering index

CRI > 80

Module luminous flux

570 lm

Luminaire luminous flux

274 lm

Luminaire luminous efficiency

66,8 lm/W

77 105 K3

Module designation

LED-0326/830

Colour temperature

3000 K

Colour rendering index

CRI > 80

Module luminous flux

555 lm

Luminaire luminous flux

419 lm

Luminaire luminous efficiency

102,2 lm/W

77 105 R K3

Module designation

LED-0326/830

Colour temperature

3000 K

Colour rendering index

CRI > 80

Module luminous flux

555 lm

Luminaire luminous flux

256 lm

Luminaire luminous efficiency

62,4 lm/W

Service life of the LED

Ambient temperature t_a = 25 °C

– at 251,000h: L70B50

max. ambient temperature t_a = 50 °C

– at 185,000h: L70B50

Inrush current

Inrush current: 7 A / 112 μs

Maximum number of luminaires of this type per miniature circuit breaker:

B 10A: 38 luminaires

B 16A: 61 luminaires

C 10A: 64 luminaires

C 16A: 102 luminaires

Lighting technology

Half beam angle 26/27°

Luminaire data for the light planning program DIALux for outdoor lighting, street lighting and interior lighting as well as luminaire data in EULUMDAT and IES format are available on our website www.bega.com.

Article No. 77 105

LED colour temperature optionally 4000 K or 3000 K

4000 K – Article number + **K4**

3000 K – Article number + **K3**

We supply this luminaire with skid-blocking glass which is denoted by **R** after the article number.

Accessories

14000214R Skid-blocking glass

BEGA skid-blocking glass with the highest rating R 13 according to DIN 51130 can be used without restriction for all public areas.

Abrasion resistance according to EN ISO 10545-7 Class 3

70 693 Installation housing

Distribution box for installation in soil

70 730 Distribution box with 7 cable entries
Connection terminals 5 x 4²

71 053 Distribution box with 10 cable entries
Connection terminals 6 x 16²

For the accessories a separate instructions for use can be provided upon request.

Light distribution