

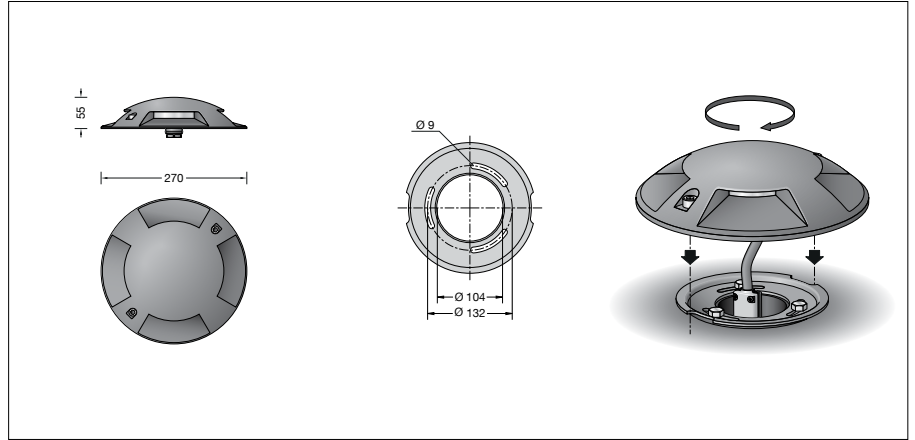
BEGA**77 090**

Surface-mounted luminaire



Project · Reference number

Date



Product data sheet

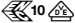

Application

LED surface-mounted luminaire with four-sided light sectors for installation on a foundation, an anchorage unit or a connection housing. Drive-over luminaire for vehicles with pneumatic tyres.

Please note:

Luminaire must not be used for installation in road lanes, where the fixture is exposed to a horizontal strain due to braking, acceleration and change of direction.

Product description

Luminaire made of aluminium alloy and stainless steel
 BEGA Unidure® coating technology
 Borosilicate glass
 Silicone gasket
 Mounting plate made of stainless steel
 Steel grade number 1.4301
 3 fixing holes \varnothing 9 mm
 Angle 120° · Pitch circle \varnothing 132 mm
 1,8 m water-resistant connecting cable
 H07RN8-F 3 G 1,5² with implemented water stopper and 1.2 m PVC cable conduit
 LED power supply unit
 220-240 V \sim 0/50-60 Hz
 DC 176-280 V
 Safety class I
 Protection class IP 67
 Dust-tight and protection against temporary immersion
 Pressure load 1,000 kg (~10 kN)
 Impact strength IK10
 Protection against mechanical impacts < 20 joule
 Maximum surface temperature 30 °C (measured according to EN 60598 of t_a 15 °C)
 – Safety mark
 – Conformity mark
 Weight: 2.8 kg

Lamp

Rated temperature $t_a = 25$ °C
 Ambient temperature $t_{a \max} = 45$ °C

On request we can offer you modifications for environments with higher temperatures as a customized product.

77 090 K3

Module connected wattage 11.8 W
 Luminaire connected wattage 13.4 W
 Module designation 2x LED-0258/830
 Colour temperature 3000 K
 Colour rendering index CRI > 80
 Module luminous flux 1750 lm
 Luminaire luminous flux 265 lm
 Luminaire luminous efficiency 19,8 lm/W

77 090 K4

Module connected wattage 13.4 W
 Luminaire connected wattage 15 W
 Module designation 2x LED-0258/840
 Colour temperature 4000 K
 Colour rendering index CRI > 80
 Module luminous flux 1120 lm
 Luminaire luminous flux 219 lm
 Luminaire luminous efficiency 14,6 lm/W

Service life · Ambient temperature

Rated temperature $t_a = 25$ °C
 LED psu: > 50,000h
 LED module: > 200,000h (L90B50)
 100,000h (L90B50)

Ambient temperature $t_{a \max} = 45$ °C (100 %)

LED psu: 50,000h
 LED module: > 200,000h (L90B50)
 100,000h (L90B50)

Inrush current

Inrush current: 20 A / 80 μ s
 Maximum number of luminaires of this type per miniature circuit breaker:
 B 10A: 35 luminaires
 B 16A: 56 luminaires
 C 10A: 58 luminaires
 C 16A: 94 luminaires

Light technique

Luminaire data for the light planning program DIALux for outdoor lighting, street lighting and indoor lighting as well as luminaire data in EULUMDAT- and IES-format you will find on the BEGA web page www.bega.com.

Article No. 77 090

LED colour temperature optionally 3000 K or 4000 K
 3000 K – Article number + **K3**
 4000 K – Article number + **K4**

Accessories

70 896 Anchorage unit with mounting flange made of hot-dip galvanised steel. Overall length 500 mm. 3 stainless steel M8 mounting screws. Pitch circle \varnothing 132 mm.

70 753 Connection housing made of stainless steel for installation in ground surfaces

Distribution box for installation in soil

70 730 Distribution box with 7 cable entries
 Connection terminals 5 x 4²

71 053 Distribution box with 10 cable entries
 Connection terminals 6 x 16²

For the accessories a separate instructions for use can be provided upon request.

Light distribution

