

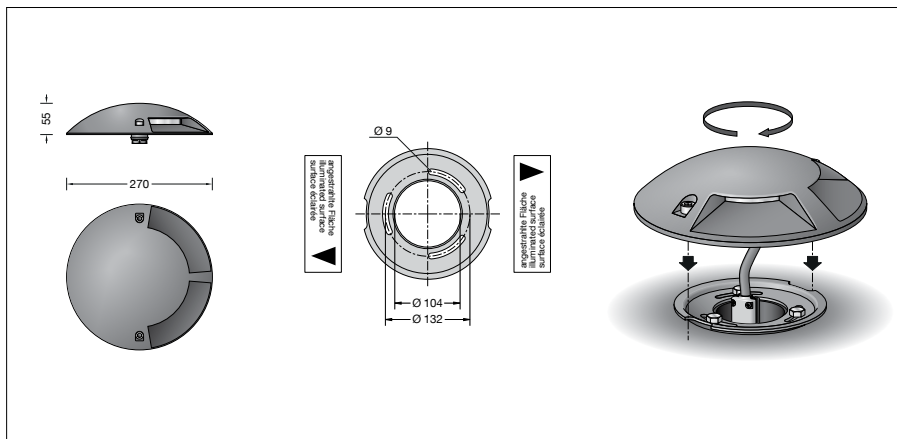
**BEGA****77 089**

Surface-mounted luminaire



Project · Reference number

Date



## Product data sheet

**Application**

LED surface-mounted luminaire with half-sided light sector for installation on a foundation, an anchorage unit or a connection housing.  
Drive-over luminaire for vehicles with pneumatic tyres.

**Please note:**

Luminaire must not be used for installation in road lanes, where the fixture is exposed to a horizontal strain due to braking, acceleration and change of direction.

**Product description**

Luminaire made of aluminium alloy and stainless steel  
BEGA Unidure® coating technology  
Borosilicate glass  
Silicone gasket  
Mounting plate made of stainless steel  
Steel grade number 1.4301  
3 fixing holes  $\varnothing$  9 mm  
Angle 120° · Pitch circle  $\varnothing$  132 mm  
1,8 m water-resistant connecting cable H07RN8-F 3 G 1,5<sup>□</sup> with implemented water stopper and 1.2 m PVC cable conduit  
LED power supply unit  
220-240 V  $\sphericalangle$  0/50-60 Hz  
DC 176-264 V  
Safety class I  
Protection class IP 67  
Dust-tight and protection against temporary immersion  
Pressure load 1,000 kg (~10 kN)  
Impact strength IK10  
Protection against mechanical impacts < 20 joule  
Maximum surface temperature 25 °C (measured according to EN 60598 of  $t_a$  15 °C)  
 – Safety mark  
 – Conformity mark  
Weight: 2.9 kg

**Lamp**

Module connected wattage 5.9 W  
Luminaire connected wattage 7 W  
Rated temperature  $t_a = 25$  °C  
Ambient temperature  $t_{a,max} = 50$  °C

**77 089 K3**

Module designation LED-0258/830  
Colour temperature 3000 K  
Colour rendering index CRI > 80  
Module luminous flux 875 lm  
Luminaire luminous flux 177 lm  
Luminaire luminous efficiency 25,3 lm/W

**77 089 K4**

Module designation LED-0258/840  
Colour temperature 4000 K  
Colour rendering index CRI > 80  
Module luminous flux 560 lm  
Luminaire luminous flux 114 lm  
Luminaire luminous efficiency 14,6 lm/W

**Service life · Ambient temperature**

Rated temperature  $t_a = 25$  °C  
LED psu: > 50,000 h  
LED module: > 200,000 h (L 80 B 50)  
100,000 h (L 90 B 50)

Ambient temperature  $t_{a,max} = 50$  °C (100 %)

LED psu: 50,000 h  
LED module: > 200,000 h (L 80 B 50)  
100,000 h (L 90 B 50)

**Light technique**

Luminaire data for the light planning program DIALux for outdoor lighting, street lighting and indoor lighting as well as luminaire data in EULUMDAT- and IES-format you will find on the BEGA web page [www.bega.com](http://www.bega.com).

**Inrush current**

Inrush current: 11 A / 112  $\mu$ s  
Maximum number of luminaires of this type per miniature circuit breaker:  
B 10A: 34 luminaires  
B 16A: 55 luminaires  
C 10A: 57 luminaires  
C 16A: 92 luminaires

**Article No. 77 089**

LED colour temperature optionally 3000 K or 4000 K  
3000 K – Article number + **K3**  
4000 K – Article number + **K4**

**Accessories**

**70 896** Anchorage unit with mounting flange made of hot-dip galvanised steel. Overall length 500 mm. 3 stainless steel M8 mounting screws. Pitch circle  $\varnothing$  132 mm.

**70 753** Connection housing made of stainless steel for installation in ground surfaces

Distribution box for installation in soil

**70 730** Distribution box with 7 cable entries  
Connection terminals 5 x 4<sup>□</sup>

**71 053** Distribution box with 10 cable entries  
Connection terminals 6 x 16<sup>□</sup>

For the accessories a separate instructions for use can be provided upon request.

**Light distribution**