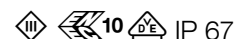


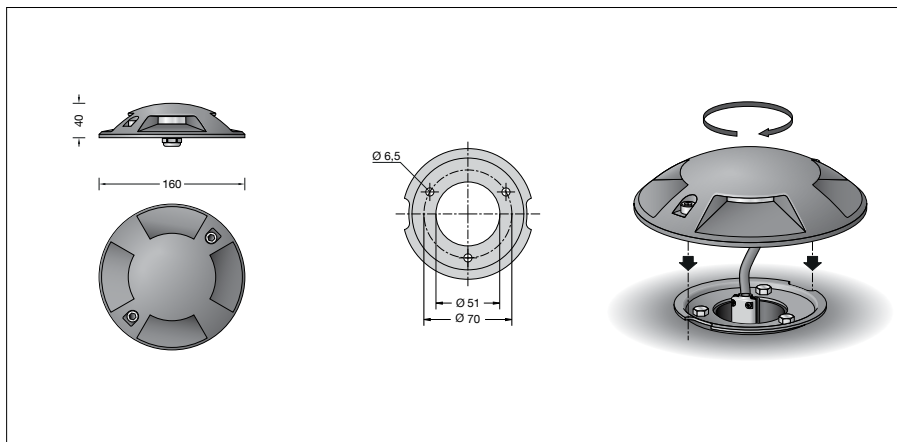
BEGA**77 070**

Surface-mounted luminaire



Project · Reference number

Date



Product data sheet

Application

LED surface-mounted luminaire with four-sided light sectors for installation on a foundation, an anchorage unit or a connection housing. Drive-over luminaire for vehicles with pneumatic tyres.

Please note:

Luminaire must not be used for installation in road lanes, where the fixture is exposed to a horizontal strain due to braking, acceleration and change of direction.

Product description

Luminaire made of aluminium alloy and stainless steel
 BEGA Unidure® coating technology
 Borosilicate glass
 Mounting plate made of stainless steel
 Steel grade number 1.4301
 3 fixing holes \varnothing 6.5 mm
 Angle 120° · Pitch circle \varnothing 70 mm
 1,8 m water-resistant connecting cable
 05RN8-F 2 x 1[□] with implemented water stopper and 1.2 m PVC cable conduit
 Safety class III \diamond
 Protection class IP 67
 Dust-tight and protection against temporary immersion
 Pressure load 1,000 kg (~10 kN)
 Impact strength IK10
 Protection against mechanical impacts < 20 joule
 Maximum surface temperature 20 °C (measured according to EN 60598 of t_a 15 °C)
 \diamond 10 \triangle – Safety mark
 CE – Conformity mark
 Weight: 0,95 kg

Lamp

Module connected wattage 2.2 W
 Luminaire connected wattage 2.6 W
 Rated temperature $t_a = 25$ °C
 Ambient temperature $t_{a \max} = 65$ °C
 Voltage 24 V = DC

77 070 K3

Module designation LED-0245/830
 Colour temperature 3000 K
 Colour rendering index CRI > 80
 Module luminous flux 275 lm
 Luminaire luminous flux 29 lm
 Luminaire luminous efficiency 11,2 lm/W

77 070 K4

Module designation LED-0245/840
 Colour temperature 4000 K
 Colour rendering index CRI > 80
 Module luminous flux 290 lm
 Luminaire luminous flux 30 lm
 Luminaire luminous efficiency 11,5 lm/W

Service life · Ambient temperature

Rated temperature $t_a = 25$ °C
 LED psu: > 50,000h
 LED module: > 200,000h (L80B50)
 100,000h (L90B50)

Ambient temperature $t_{a \max} = 65$ °C (100 %)

LED psu: 50,000h
 LED module: 195,000h (L80B50)

Light technique

Luminaire data for the light planning program DIALux for outdoor lighting, street lighting and indoor lighting as well as luminaire data in EULUMDAT- and IES-format you will find on the BEGA web page www.bega.com.

Article No. 77 070

LED colour temperature optionally 3000K or 4000K
 3000 K – Article number + **K3**
 4000 K – Article number + **K4**

Accessories

Safety transformers according to DIN EN 61558/VDE 0570

70 564 Power supply unit
 Primary: 230 V \sim 50/60 Hz
 Secondary: 24 V = DC · 0-15 W

70 465 Power supply unit
 Primary: 230 V \sim 50/60 Hz
 Secondary: 24 V = DC · 0-25 W

70 114 Power supply unit
 Primary:
 AC: 110-264 V \sim 50/60 Hz
 DC: 170-280 V
 Secondary: 24 V = DC · 0-42 W

70 894 Anchorage unit
 Anchorage unit with mounting flange made of galvanised steel. Total length 400 mm. 3 stainless steel fixing screws M 6. Pitch circle \varnothing 70 mm.

70 751 Connection housing
 Connection housing made of stainless steel for installation in compacted ground surfaces.

Distribution box for installation in soil
70 730 Distribution box with 7 cable entries
 Connection terminals 5 x 4[□]

71 053 Distribution box with 10 cable entries
 Connection terminals 6 x 16[□]

For the accessories a separate instructions for use can be provided upon request.

Light distribution