

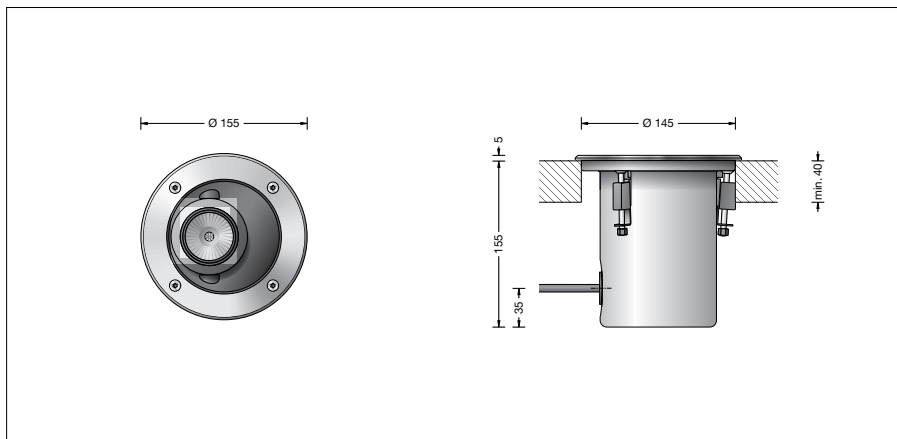
BEGA**77 066**

In-ground luminaire



Project · Reference number

Date



Product data sheet

Application

In-ground floodlight with swivel-mounted and rotatable LED optical system. The adjustable tilt angle of the reflector allows optionally a symmetrical or asymmetrical light distribution. Luminaire for installation in cut-outs in floor sections. Drive-over luminaire for vehicles with pneumatic tyres.

Please note:

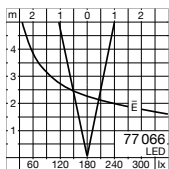
Luminaire must not be used for installation in road lanes, where the fixture is exposed to a horizontal strain due to braking, acceleration and change of direction.

For walk-through public areas, we recommend skid-blocking glass – see accessories.

Product description

Luminaire made of stainless steel
Steel grade no. 1.4301
Clear safety glass
Silicone gasket
Reflector made of pure anodised aluminium
Required recessed opening \varnothing 145 mm
Minimum material thickness 40 mm
1,8 m water-resistant connecting cable
HO7RN8-F 3G1,5[□] with implemented water stopper and 1.2 m PVC cable conduit
LED power supply unit
220-240 V \sim 0/50-60 Hz
DC 176-264 V
Safety class I
Protection class IP 68 10 m
Dust-tight and water pressure tight
Maximum submersion depth 10 m
Not suitable for permanent operation under water
Pressure load 2,000 kg (20 kN)
Impact strength IK10
Protection against mechanical impacts < 20 joule
Maximum surface temperature 30 °C (measured according to EN 60598 of t_a 15 °C)
 – Safety mark
 – Conformity mark
Weight: 2.2 kg

Light distribution



Lamp

Module connected wattage	4 W
Luminaire connected wattage	5.1 W
Rated temperature	$t_a = 25$ °C
Ambient temperature	$t_{a \max} = 45$ °C
When installed in heat-insulating material	$t_a \max = 30$ °C
Service life criteria	50 000 h / L_{70}

On request we can offer you modifications for environments with higher temperatures as a customized product.

77 066 K4

Module designation	LED-1041/840
Colour temperature	4000 K
Colour rendering index	CRI > 80
Module luminous flux	595 lm
Luminaire luminous flux	309 lm
Luminaire luminous efficiency	60,6 lm/W

77 066 R K4

Module designation	LED-1041/840
Colour temperature	4000 K
Colour rendering index	CRI > 80
Module luminous flux	595 lm
Luminaire luminous flux	209 lm
Luminaire luminous efficiency	41 lm/W

77 066 K3

Module designation	LED-1041/830
Colour temperature	3000 K
Colour rendering index	CRI > 80
Module luminous flux	560 lm
Luminaire luminous flux	291 lm
Luminaire luminous efficiency	57,1 lm/W

77 066 R K3

Module designation	LED-1041/830
Colour temperature	3000 K
Colour rendering index	CRI > 80
Module luminous flux	560 lm
Luminaire luminous flux	199 lm
Luminaire luminous efficiency	39 lm/W

Light technique

Recessed luminaire with adjustable optical system.

Optical system 0-30° swivel-mounted and $\pm 180^\circ$ infinitely rotatable.

Narrow beam rotationally symmetrical light distribution. Half beam angle 22°

Luminaire data for the light planning program DIALux for outdoor lighting, street lighting and indoor lighting, as well as luminaire data in EULUMDAT and IES format are available on the BEGA website at www.bega.com.

Inrush current

Inrush current: 7 A / 112 μ s
Maximum number of luminaires of this type per miniature circuit breaker:
B 10A: 38 luminaires
B 16A: 61 luminaires
C 10A: 64 luminaires
C 16A: 102 luminaires

Article No. 77 066

LED colour temperature optionally 4000K or 3000K
4000 K – Article number + **K4**
3000 K – Article number + **K3**

We supply this luminaire with skid-blocking glass which is denoted by **R** after the article number.

Accessories

14000739R Skid-blocking glass
BEGA skid-blocking glass with the highest rating R 13 according to DIN 51130 can be used without restriction for all public areas. Abrasion resistance according to EN ISO 10545-7 Class 3

10200 Exchangeable lens wide beam

10213 Exchangeable lens flat beam

For the accessories a separate instructions for use can be provided upon request.