

**BEGA****67 541.3**

Table lamp for indoor use

Project · Reference number

Date

**Product data sheet****Application**

Table lamp · indoor luminaire made of metal base and hand-blown opal glass, satin matt for free radiating and glare-free light.

**Product description**

Luminaire made of aluminium, polished surface finish  
 Hand-blown opal glass, satin matt, with screw neck  
 Touch-controlled dimmer for infinite light adjustment  
 Black cable · 2000 mm  
 LED power supply unit  
 220-240 V  $\sim$  0/50-60 Hz  
 DC 170-280 V  
 Safety class I  
**CE** – Conformity mark  
 Weight: 3.3 kg

**Inrush current**

Inrush current: 20 A / 400  $\mu$ s  
 Maximum number of luminaires of this type per miniature circuit breaker:  
 B 10A: 9 luminaires  
 B 16A: 15 luminaires  
 C 10A: 15 luminaires  
 C 16A: 25 luminaires

**Lamp**

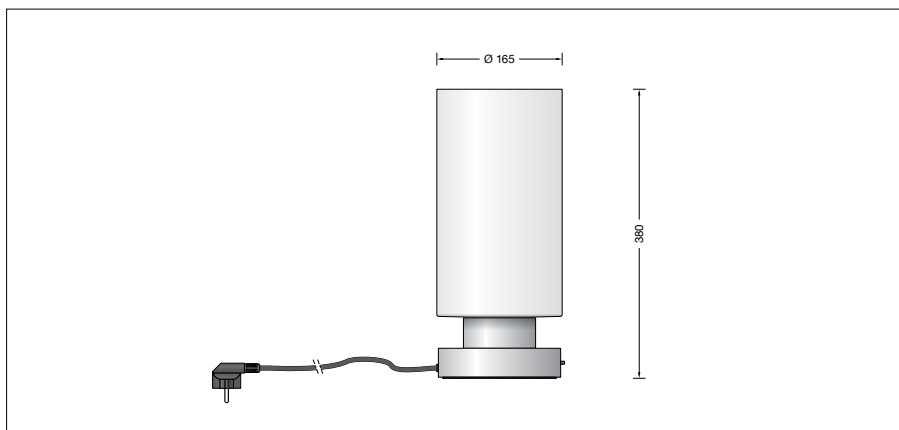
Module connected wattage	12.9 W
Luminaire connected wattage	16.2 W
Rated temperature	$t_a = 25 \text{ }^\circ\text{C}$
Ambient temperature	$t_{a \text{ max}} = 45 \text{ }^\circ\text{C}$

**67 541.3 K3**

Module designation	LED-0621/930
Colour temperature	3000 K
Colour rendering index	CRI > 90
Module luminous flux	1475 lm
Luminaire luminous flux	1139 lm
Luminaire luminous efficiency	70,3 lm/W

**67 541.3 K4**

Module designation	LED-0621/940
Colour temperature	4000 K
Colour rendering index	CRI > 90
Module luminous flux	1525 lm
Luminaire luminous flux	1177 lm
Luminaire luminous efficiency	72,7 lm/W

**Service life of the LED**

Ambient temperature  $t_a = 25 \text{ }^\circ\text{C}$   
 – at 417,000h: L 70 B 50

max. ambient temperature  $t_a = 45 \text{ }^\circ\text{C}$   
 – at 124,000h: L 70 B 50

**Article No. 67 541.3**

LED colour temperature optionally 3000 K or 4000 K  
 3000 K – Article number + **K3**  
 4000 K – Article number + **K4**