

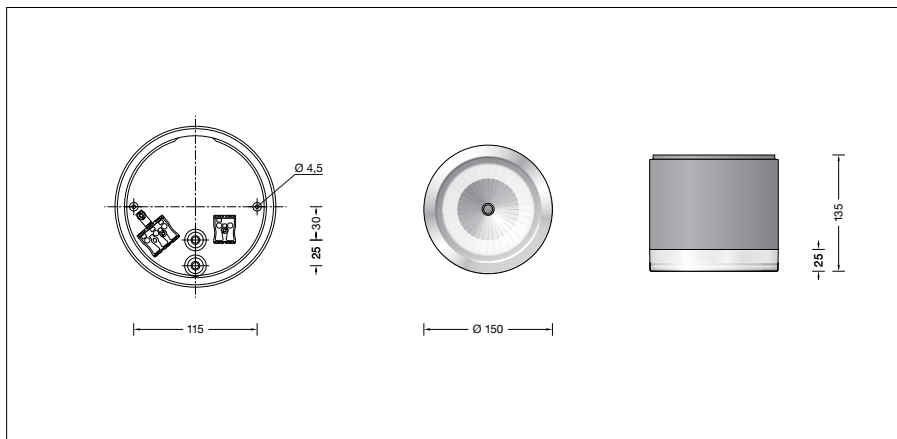
BEGA**66 051**

Ceiling mounted downlight



Project · Reference number

Date

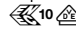



Product data sheet

Application

Surface mounted LED downlight with symmetrical light distribution. The partially frosted crystal glass produces an additional vertical light and supplements the light directed downwards by multi-faceted light graphics.

Product description

Luminaire made of aluminium alloy, aluminium and stainless steel
 Crystal glass with thread, partially frosted
 Silicone gasket
 Reflector made of pure anodised aluminium
 2 mounting holes \varnothing 4.5 mm
 Distance apart 115 mm
 2 cable entries for through-wiring of mains supply cable \varnothing 7-10.5 mm, max. 5 G 1.5[□]
 Connecting terminal and earth conductor terminal 2.5[□]
 LED power supply unit
 220-240 V \sim 0/50-60 Hz
 DC 176-280 V
 DALI controllable
 A basic isolation exists between power cable and control line
 Safety class I
 Protection class IP 65
 Dust-tight and protection against water jets
 Impact strength IK06
 Protection against mechanical impacts < 1 joule
 – Safety mark
 – Conformity mark
 Weight: 2.0 kg

Lamp

Module connected wattage	10 W
Luminaire connected wattage	11.8 W
Rated temperature	$t_a = 25\text{ }^\circ\text{C}$
Ambient temperature	$t_{a\text{max}} = 35\text{ }^\circ\text{C}$

On request we can offer you modifications for environments with higher temperatures as a customized product.

66 051 K3

Module designation	LED-0839/830
Colour temperature	3000 K
Colour rendering index	CRI > 80
Module luminous flux	1450 lm
Luminaire luminous flux	798 lm
Luminaire luminous efficiency	67,6 lm/W

66 051 K4

Module designation	LED-0839/840
Colour temperature	4000 K
Colour rendering index	CRI > 80
Module luminous flux	1550 lm
Luminaire luminous flux	853 lm
Luminaire luminous efficiency	72,3 lm/W

Service life · Ambient temperature

Ambient temperature $t_a = 25\text{ }^\circ\text{C}$	
LED psu:	> 50,000 h
LED module:	> 200,000 h (L80 B50) 100,000 h (L90 B50)

Ambient temperature $t_a = 35\text{ }^\circ\text{C}$	
LED psu:	50,000 h
LED module:	200,000 h (L80 B50) 100,000 h (L80 B50)

Inrush current

Inrush current: 5 A / 50 μ s
 Maximum number of luminaires of this type per miniature circuit breaker:

B 10A:	31 luminaires
B 16A:	50 luminaires
C 10A:	52 luminaires
C 16A:	85 luminaires

Lighting technology

Half beam angle 57°
 Luminaire data for the light planning program DIALux for outdoor lighting, street lighting and interior lighting as well as luminaire data in EULUMDAT and IES format are available on our website www.bega.com.

Article No. 66 051

LED colour temperature optionally 3000 K or 4000 K
 3000 K – Article number + **K3**
 4000 K – Article number + **K4**
 Colour optionally graphite or white
 Graphite – Article number
 White – Article number + **W**

Light distribution

